



RoHS  
LM79  
LM84



Ex marking: Ex db e IIC T4/T3 Gb  
Ex tb IIC T130°C/T195°C Db,IP66

## Application

- Ideal to be used in the oilfield, chemical industry, offshore drilling platform, steel industry, petroleum etc.
- Gas explosive environment: Group IIA,IIB,IIC.
- Zone 1,zone 2; zone 21,zone 22.



## Characteristics

- It is made using a special aluminum housing, all exposed fasteners adopt 304 stainless steel. Using high-tech anti-corrosion surface treatment technology, suitable for long-term highly corrosive environment of offshore oil platforms, oil drilling platform, chlor-alkali, vulcanization cyanide, etc.
- A full range of high conductivity material accelerate convection cooling structure, effective guarantee long-term use in high temperature environments.
- Variety of light distribution, variety of installation types, an effective solution to beautify workshop and device platform.
- The shell is made of high-tech surface coating technology, corrosion resistant, waterproof and dust proof, suitable for harsh environments.
- Optoelectronic integrated technology, no dark spot, no ghosting, the average light efficiency of whole lamp can reach to 120 lm/W, energy-saving is 60% more than Metal Halide Lamp.
- Taiwan Meanwell driver or driver with same quality, power factor above 0.98, high reliability and long time service life.
- Independent wiring chamber, safe and easy installation and maintenance.
- Quick replay light source without welding.
- Intelligent control functions can be realized.( Dimming: 1-10VDC, PWM, Carrier, DALI, etc.)

## Main Specification

Item	Technical Parameters
Input voltage (V)	90~264VAC
Rated frequency	50Hz / 60Hz
CRI (Ra)	70 (80 optional)
Life time (h)	50,000
CCT	5000K(3000K/4000K optional)
Cable entry	M20×1.5, M25×1.5, G3/4", NPT1/2", NPT3/4"
Terminals	Multi core: ≤2.5mm <sup>2</sup>
	Single core: ≤4mm <sup>2</sup>
Dimension (mm)	φ 300×290
Net weight (kg)	6.4

## Ordering reference

Ordering reference	Picture	Rated Wattage (W)	Light output (lm)	Space height ratio	Mounting height (m)	Light distribution curve(1000cd/lm)	Equivalent to
							MH
BC9307P-L100-40°		100W	11300	0.7	8~12m		250W
BC9307P-L120-40°		120W	13000				>250W
BC9307P-L150-40°		150W	16500				400W
BC9307P-L180-40°		180W	17500				>400W

# BC9307P LED Explosion Proof Light(Pole)

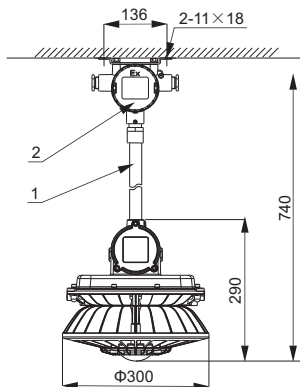
# TORMIN

Ordering reference	Picture	Rated Wattage (W)	Light output (lm)	Space height ratio	Mounting height (m)	Light distribution curve(1000cd/lm)	Equivalent to MH
BC9307P-L100-60°		100W	11200	0.9	8~12m		250W
BC9307P-L120-60°		120W	12900				>250W
BC9307P-L150-60°		150W	16500		400W		
BC9307P-L200-60°		200W	23100		>400W		
BC9307P-L240-60°		240W	26700		600W~800W		
BC9307P-L100-80°		100W	11500	1.35	8~12m		250W
BC9307P-L120-80°		120W	13200				>250W
BC9307P-L150-80°		150W	16800		400W		
BC9307P-L200-80°		200W	23700		>400W		
BC9307P-L240-80°		240W	27200		600W~800W		
BC9307P-L100-100°		100W	11600	1.4	8~12m		250W
BC9307P-L120-100°		120W	13400				>250W
BC9307P-L150-100°		150W	17000		400W		
BC9307P-L200-100°		200W	23900		>400W		
BC9307P-L240-100°		240W	27400		600W~800W		

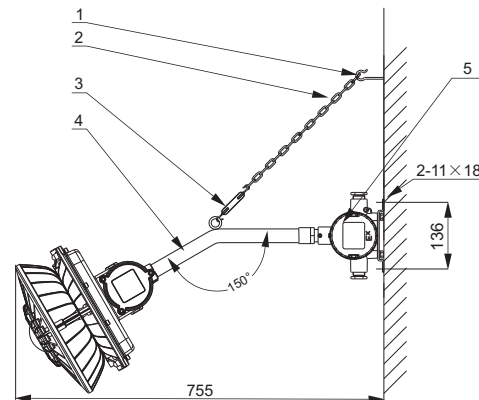
Note 1: Lens can be customized 60°×80°, 90°×100°, 200°

## Drawing of dimension (Dimensions in mm)

### Pole mounting



### Wall mounting 150deg



### Accessories order information(Pole mounting)

Ordering reference	Item no.	Specification	quantity
P01	1	G3/4" pole 30cm	1
BHD01	2	Explosion proof junction box	1

### Accessories order information(Wall mounting 150deg)

Ordering reference	Item no.	Specification	quantity
P03	1	Expansion screw hook	1
	2	Chain	1
	3	C-C turn buckle	1
	4	G3/4" bend pipe 150°	1
BHD01	5	Explosion proof junction box	1