



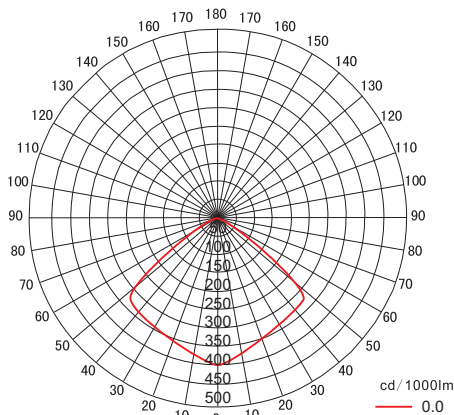
## Application

Suitable for walkways, tunnels, trenches and other indoor lighting.

## Characteristics

- It can save 60% or more on energy than the metal halide lamp.
- It adopts domestic brand power supply with AC and DC wide voltage constant power, power factor above 0.98.
- Using reflective cup design, non-glare, does not cause eye fatigue of workers, improve work efficiency.
- Housing made of aluminum alloy processing, standard parts with 304 stainless steel, using high-tech anti-corrosion surface treatment technology, suitable for a variety of harsh industrial operating environment
- Transparent parts adopt imported optical grade PC, high transmittance, good impact resistance, let lights work in a variety of harsh environments.

## Light distribution Curve



## Main Specification

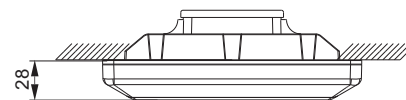
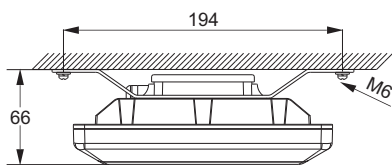
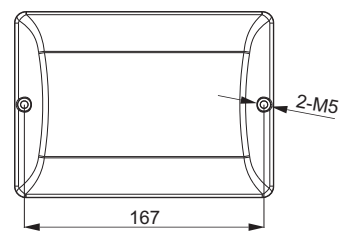
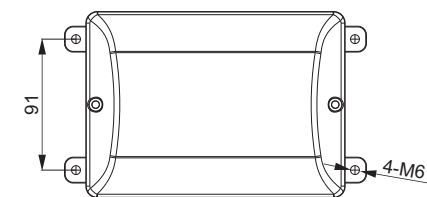
Item	Technical Parameters
Input voltage (V)	90~264VAC
	18~43VAC/ 18~55VDC(6~12W)
Rated frequency	50Hz / 60Hz
Light source	LED
Life time (h)	50,000
CRI	Ra 75
CCT	5000K ±250K
Dimension (mm)	180 × 130 × 65
Net weight (kg)	1



## Ordering Reference

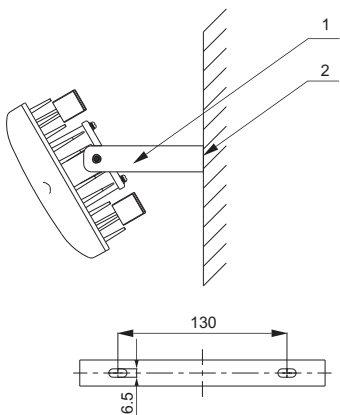
Model Number	Input voltage (V)	Rated Wattage (W)	Light output (lm)	Space height ratio	Mounting height (m)	Equivalent to
						Fluorescent Lamp
ZY8800-L6	90~264VAC	6W	600	1.2	2~4m	12W
ZY8800-L12		12W	1200			22W
ZY8800-L20		20W	1700			45W
ZY8800-L6D	18~43VAC/ 18~55VDC	6W	600	1.2	2~4m	12W
ZY8800-L12D		12W	1200			22W

## Drawing of dimension (Dimensions in mm)



**Ceiling mounting(Standard)**

**Embedded mounting**



**Wall mounting dimensions (optional)**

### Accessories Ordering Information (optional)

Model No.	NO.	Specifications Model	Quantity
P18	1	Ceiling type Bracket	1
	2	Positioning plate	2