



### Characteristics

- Product adopt back transparent module heat sink system, solve the problem of easy deformation of the traditional module and the low air flow rate and low heat radiation, improve work efficiency and service life.
- Modular design could solve the maintenance problem of LED lighting. It can achieve module replacement without opening light fixtures.
- Professional Light distribution design, rectangular spot, can save 60% or more on energy than the metal halide lamp.
- Equipped with electrical appliance of Meanwell or similar quality power driver, power factor up to 0.98.
- The locking device on the bracket will keep the lamp from shift or trembling during harsh vibration.
- Housing made of aluminum alloy, all exposed fasteners adopt 304 stainless steel. Using high-tech anti-corrosion surface treatment technology, suitable for a variety of harsh industrial operating environment.
- According to user needs, achieve a variety of intelligent control.

### Application

It is an ideal lighting solution for power plants, substations, factories, docks, metallurgical plants and other indoor and outdoor lighting.



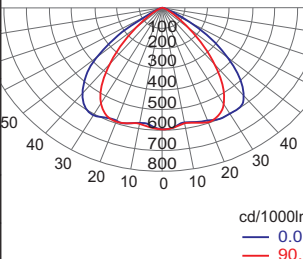
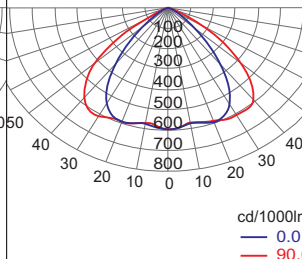
### Main Specification

Item	Technical Parameters	
Input voltage (V)	90~305VAC	
Rated Frequency	50Hz / 60Hz	
Life time (h)	50,000	
CRI	Ra 75	
CCT	5000K ±250K	
Leading-in cable diameter	φ 6mm~ φ 8mm	
Dimension (mm)	80W / 100W / 120W	322(L)×363×150
	150W / 180W	417(L)×363×150
	240W	512(L)×363×150
	300W	607(L)×363×150
Net Weight (kg)	80W / 100W / 120W	5.2
	150W / 180W	6.2
	240W	7.2
	300W	8.2

# ZY8102 Series LED Floodlight

# TORMIN

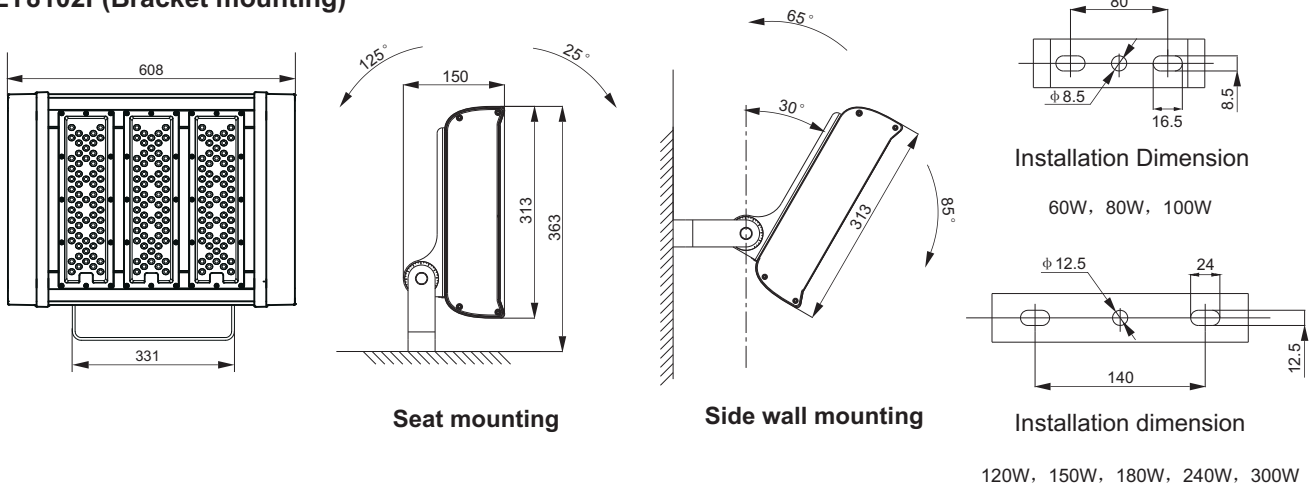
## Ordering Reference

Model Number	Rated Wattage (W)	Light output (lm)	8102F Light distribution curve (1000cd/lm)	8102S Light distribution curve (1000cd/lm)	Equivalent to Metal Halide Lamp
ZY8102□-L80-80°×100°	80W	8800	 <p>Space height ratio: 1.4 Mounting height: 4~15m</p>	 <p>Space height ratio: 1.4 Mounting height: 4~15m</p>	175W~250W
ZY8102□-L100-80°×100°	100W	11000			250W
ZY8102□-L120-80°×100°	120W	12200			250W~400W
ZY8102□-L150-80°×100°	150W	16500			400W
ZY8102□-L180-80°×100°	180W	18900			400W~600W
ZY8102□-L240-80°×100°	240W	25200			600W
ZY8102□-L300-80°×100°	300W	31500			600W~1000W

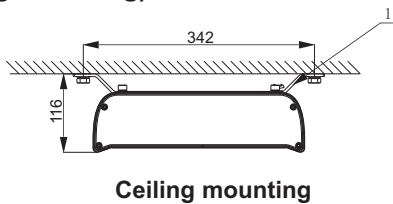
\*: Model number "□" According to the actual installation requirements to fill F or S (See installation diagram on the next page), ZY8102S type only applies 180W or less power.

## Drawing of dimension (Dimensions in mm)

### ZY8102F(Bracket mounting)



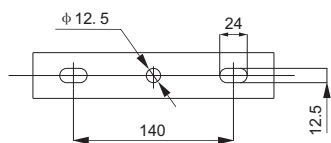
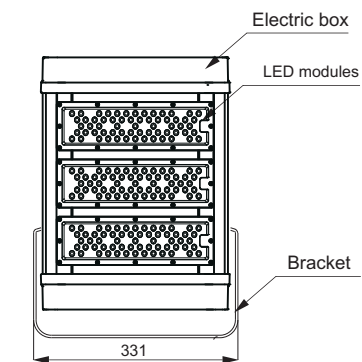
### ZY8102X(Ceiling mounting)



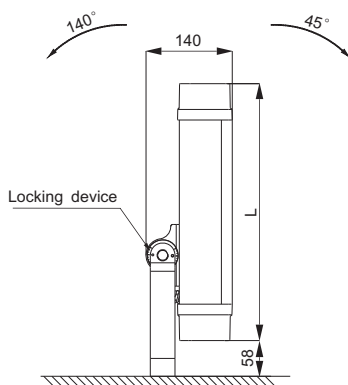
### Ordering Information (optional)

Model No.	No.	Specifications Model	Quantity
P13	1	Ceiling mounting bracket	2

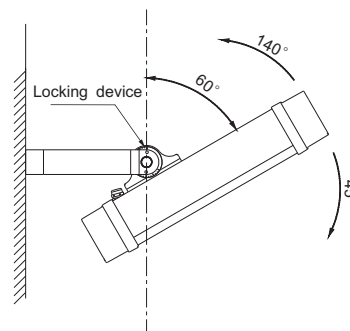
## ZY8102S



Installation dimension



Seat mounting



Side wall mounting