

# ZY8501 Series LED High Bay Light

# TORMIN



## Characteristics

- Light distribution specially design for high-top plant.
- Radiator adopt fin structure design, light source adopt decentralized layout and separate structure of power, long-term suitable for operating environment with high temperature and high humidity.
- It adopts American CREE LED as light source, no dark zone in light spot, can save 60% or more on energy than the metal halide lamp.
- Equipped with electrical appliance of Meanwell or other similar quality power driver, AC and DC wide voltage constant, power factor up to 0.98.
- Quick opening lid design, shaft anti-off device, can achieve fast installation and maintenance.
- Housing made of aluminum alloy processing, standard 304 stainless steel, using high-tech anti-corrosion surface treatment technology, suitable for a variety of harsh industrial operating environment.
- According to user needs, achieve a variety of intelligent control.

## Application

Suitable for plant lighting to high, medium and low installation height region with demanding high temperature performance for demanding.



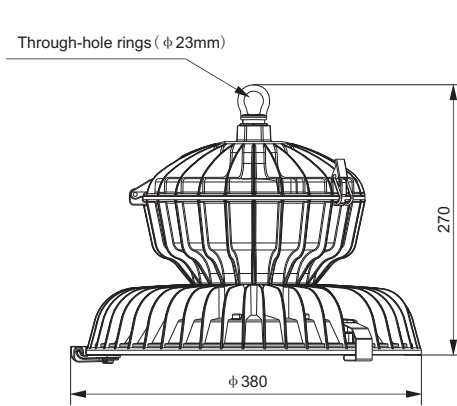
## Main Specification

Item	Technical Parameters
Input voltage (V)	90~305VAC
Rated frequency	50Hz / 60Hz
Light source	LED
Life time (h)	100,000
CRI	Ra 75
CCT	5000K ±250K
Leading-in cable diameter	φ9mm~ φ14mm
Dimension (mm)	φ380×270
Net weight (kg)	7.5

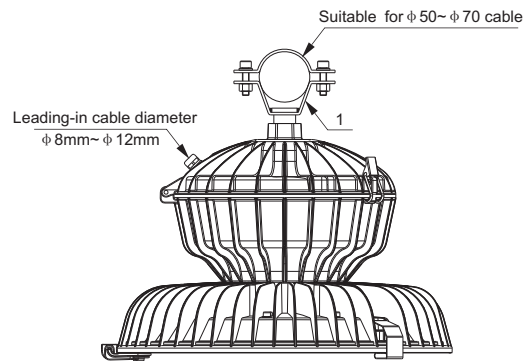
## Ordering Reference

Model Number	Picture	Rated wattage (W)	Light output (lm)	Space height ratio	Mounting height (m)	Light distribution Curve(1000cd/lm)	Equivalent to
							Metal Halide Lamp
ZY8501-L80-65°		80W	7600	0.7	6~10m		150W
ZY8501-L100-65°		100W	9000				175W
ZY8501-L120-65°		120W	10200				175W~250W
ZY8501-L150-65°		150W	11250				250W~400W
ZY8501-L80-50°		80W	7600	0.65	6~12m		150W
ZY8501-L100-50°		100W	9000				175W
ZY8501-L120-50°		120W	10200				175W~250W
ZY8501-L150-50°		150W	11250				250W~400W

## Drawing of dimension (Dimensions in mm)



**Ring mounting (Standard)**



**Hold hoop mounting ( Optional )**

### Accessories Ordering Information (optional)

Model No.	Number	Specifications Model	Quantity	Remark
P14	1	Hold hoop bracket	1	Suitable for φ 50~ φ 70 steel pipe

