



Characteristics

- Housing made of special aluminum processing, hardware and brackets adopt 304 stainless steel, using high-tech anti-corrosion surface treatment technology, can be long-term suitable for seaside, chlor-alkali, hydrogen sulfide and other highly corrosive areas.
- Superconducting aluminum comprehensive self-loop thermal design, long-term suitable for operating environment with high temperature and high humidity. Upper and lower ventilation fin structure, no dust.
- Variety of light distribution, variety of installation types, same shape, an effective solution to beautify workshop and device platform.
- It adopts Imported light source, no dark zone in light spot, no ghosting, the entire lighting efficiency average up to 120lm / W, can save 60% or more on energy than the metal halide lamp.
- AC and DC wide voltage constant power supply, can long-term use in voltage instability places
- It can quickly replace the light source without welding.
- Trunnion openings connecting device, can achieve single installation and maintenance work.

Application

Suitable for offshore device platform, wharf transport corridors and other low installation height moist corrosive environment.



Main Specification


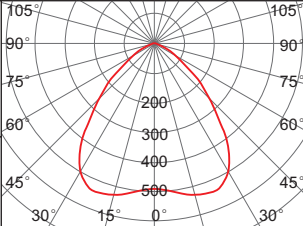

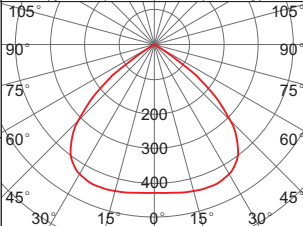

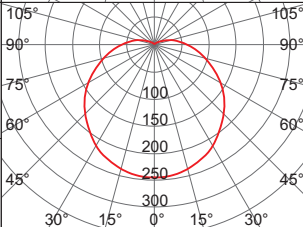

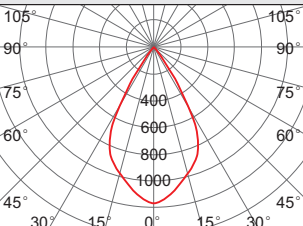

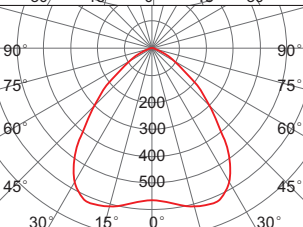

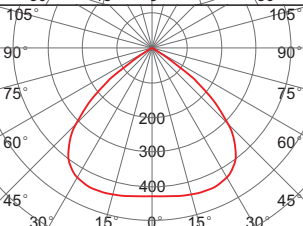

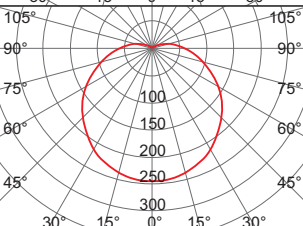
Item	Technical Parameters
Input voltage (V)	90~264VAC(30~60W) or 185~264VAC(80W)
	18~43VAC/ 18~55VDC(25~60W)
Rated frequency	50Hz / 60Hz
Light Source	LED
Life time (h)	50,000
CRI	Ra 70 (80 optional)
CCT	5000K(3000K/4000K optional)
Leading-in cable diameter	φ 8mm~ φ 14mm
Dimension (mm)	φ 230 × 170
Net weight (kg)	3

Ordering Reference

Model Number	Picture	Rated wattage (W)	Light output (lm)	Space height ratio	Mounting height (m)	Light distribution Curve(1000cd/lm)	Equivalent to MH
Input voltage: 90~264VAC							
ZY8607P-L30-60°		30W	3400	0.9	4~6m		70W
ZY8607P-L40-60°		40W	4400				100W
ZY8607P-L50-60°		50W	5400		100W		
ZY8607P-L60-60°		60W	6700		150W		
ZY8607P-L80-60°		80W	8400		175W		

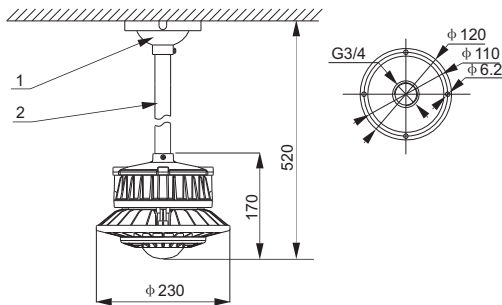
ZY8607P Series LED Light (Pole)

TORMIN

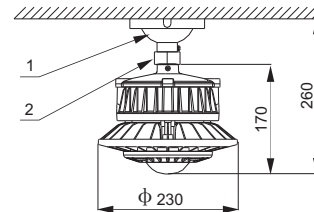
Model Number	Picture	Rated wattage (W)	Light output (lm)	Space height ratio	Mounting height (m)	Light distribution Curve(1000cd/lm)	Equivalent to
							MH
Input voltage: 90~264VAC(30~60W) or 185~264VAC(80W)							
ZY8607P-L30-80°		30W	3500	1.35	3~6m		70W
ZY8607P-L40-80°		40W	4500				100W
ZY8607P-L50-80°		50W	5600		100W		
ZY8607P-L60-80°		60W	6900		150W		
ZY8607P-L80-80°		80W	8700		175W		
ZY8607P-L30-100°		30W	3500	1.4	3~6m		70W
ZY8607P-L40-100°		40W	4600				100W
ZY8607P-L50-100°		50W	5600		100W		
ZY8607P-L60-100°		60W	7000		150W		
ZY8607P-L80-100°		80W	8800		175W		
ZY8607P-L30-200°		30W	2800	1.75	2~5m		70W
ZY8607P-L40-200°		40W	3700				100W
ZY8607P-L50-200°		50W	4500		100W		
ZY8607P-L60-200°		60W	5400		150W		
ZY8607P-L80-200°		80W	6800		175W		
Input voltage: 18~43VAC/ 18~55VDC							
ZY8607P-L25D-60°		25W	2800	0.9	4~6m		70W
ZY8607P-L40D-60°		40W	4400				100W
ZY8607P-L60D-60°		60W	6700		150W		
ZY8607P-L25D-80°		25W	2900	1.35	3~6m		70W
ZY8607P-L40D-80°		40W	4600				100W
ZY8607P-L60D-80°		60W	6900		150W		
ZY8607P-L25D-100°		25W	2900	1.4	3~6m		70W
ZY8607P-L40D-100°		40W	4600				100W
ZY8607P-L60D-100°		60W	7000		150W		
ZY8607P-L25D-200°		25W	2400	1.75	2~5m		70W
ZY8607P-L40D-200°		40W	3700				100W
ZY8607P-L60D-200°		60W	5400		150W		

Drawing of dimension (Dimensions in mm)

Pole mounting



Ceiling mounting



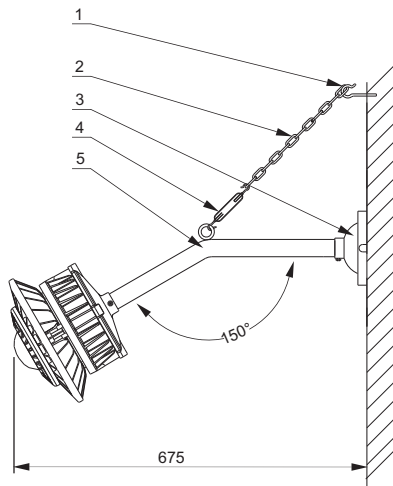
Accessories order information(Pole mounting)

Ordering Reference	Item no.	Specification	Quantity
P14	1	G3/4" pole 30cm	1
	2	Sucker	1

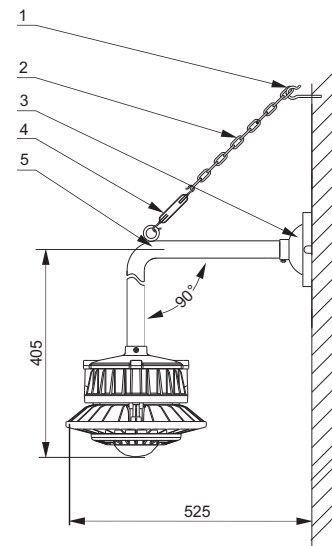
Accessories order information(Ceiling mounting)

Ordering Reference	Item no.	Specification	Quantity
P17	1	Sucker	1
	2	Adapter G3/4 " (M-M)	1

Wall mounting 150°



Wall mounting 90°



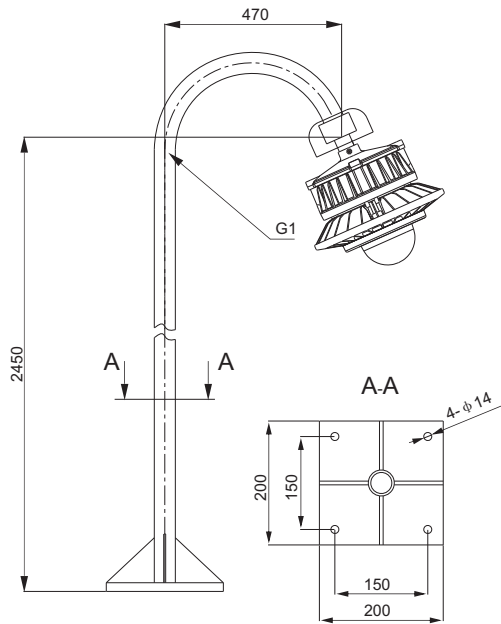
Accessories order information(Wall mounting 150deg)

Ordering Reference	Item no.	Specification	Quantity
P15	1	Expansion screw hook	1
	2	Chain	1
	3	Sucker	1
	4	C-C turn buckle	1
	5	G3/4" bend pipe 150Degree	1

Accessories order information(Wall mounting 90deg)

Ordering Reference	Item no.	Specification	Quantity
P16	1	Expansion screw hook	1
	2	Chain	1
	3	Sucker	1
	4	C-C turn buckle	1
	5	G3/4" bend pipe 90Degree	1

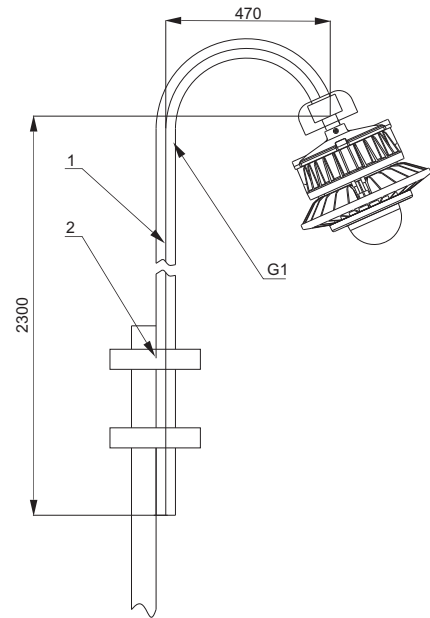
Flange mounting



Accessories order information(Flange mounting)

Ordering Reference	Item no.	Specification	Quantity
P06	1	Flanged pole	1

Guardrail mounting



Accessories order information(Guardrail mounting)

Ordering Reference	Item no.	Specification	Quantity
P05	1	Guardrail pole	1
	2	U-bolts	1