



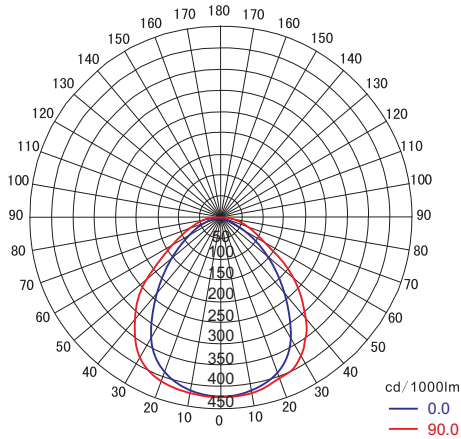
### Application

It is an ideal lighting solution for power plants, substations, factories, docks, metallurgical plants and other indoor and outdoor lighting.

### Characteristics

- Apply the design of lens with different angles, make irradiation surface wider, fully effective use of light. Illumination uniformity, no glare, does not cause eyestrain of workers, improve work efficiency.
- Radiator adopt fin structure design, light source adopt decentralized layout and separate structure of power, long-term suitable for operating environment with high temperature and high humidity.
- It adopts American CREE LED as light source, no dark zone in light spot, can save 60% or more on energy than the metal halide lamp.
- Equipped with electrical appliance of Meanwell or similar quality power driver AC- DC wide voltage constant power supply, power factor up to 0.98.
- The locking device on the bracket will keep the lamp from shift or trembling during harsh vibration.
- Housing made of aluminum alloy, all exposed fasteners adopt 304 stainless steel., using high-tech anti-corrosion surface treatment technology, suitable for a variety of harsh industrial operating environment.
- According to user needs, achieve a variety of intelligent control.

### Light Distribution Curve



### Main Specification

Item	Technical Parameters
Input voltage (V)	90~305VAC(30~80W)
	18~43VAC/ 18~55VDC(25~60W)
Rated frequency	50Hz / 60Hz
Light source	LED
Life time (h)	100,000
CRI	Ra 75
CCT	5000K ±250K
Leading-in cable diameter	φ 6mm~ φ 8mm
Dimension (mm)	300×300×75
Net weight (kg)	4.7

# ZY8101 Series Glare Free Led Floodlight

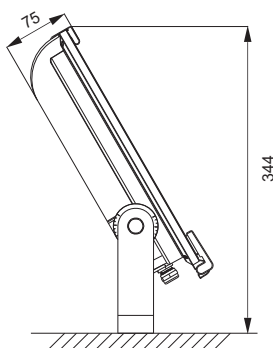
**TORMIN**

## Ordering Reference

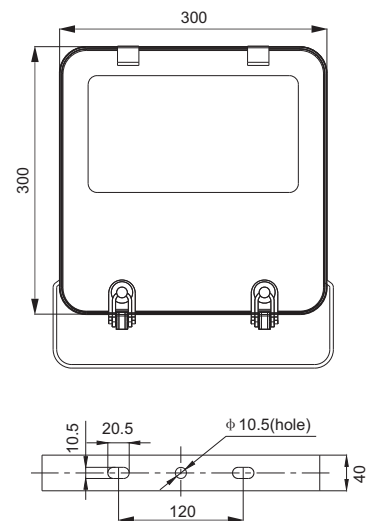
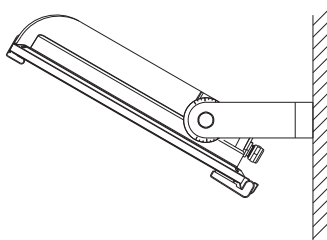
Model Number	Input voltage (V)	Rated wattage (W)	Light output (lm)	Space height ratio	Mounting height (m)	Equivalent to
						Metal Halide Lamp
ZY8101-L25	90~305VAC	25W	2800	1.4	2~6m	70W
ZY8101-L40		40W	3800			100W
ZY8101-L60		60W	5100		3~8m	150W
ZY8101-L80		80W	7200			175W
ZY8101-L25D	18~43VAC/ 18~55VDC	25W	2800	1.4	2~6m	70W
ZY8101-L40D		40W	3800			100W
ZY8101-L60D		60W	5100		3~8m	150W

## Drawing of dimension (Dimensions in mm)

**Seat mounting**



**Side wall mounting**



**Installation Dimension**

