

# ZY8603P Series LED Lights(Pole)

**TORMIN**



## Application

Idea to be used in the platform water control room, fire water pump room and etc.



## Characteristics


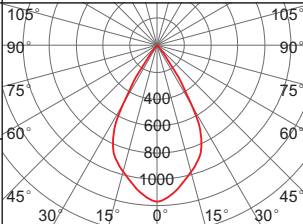

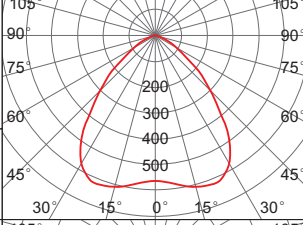

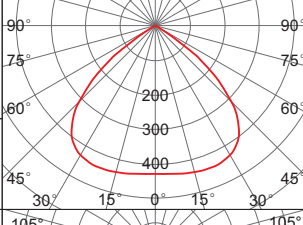

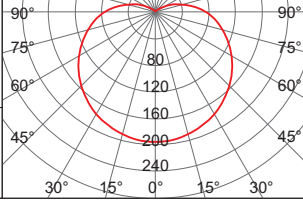

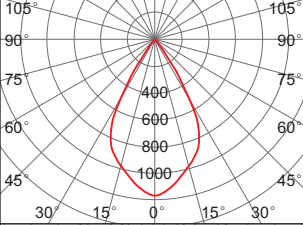

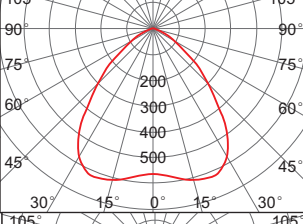

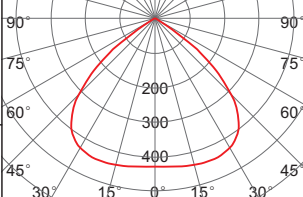
- Housing made of special aluminum processing, hardware and brackets adopt 304 stainless steel, using high-tech anti-corrosion surface treatment technology, can be long-term suitable for seaside, chlor-alkali, hydrogen sulfide and other highly corrosive areas.
- Superconducting aluminum comprehensive self-loop thermal design, long-term suitable for operating environment with high temperature and high humidity. Upper and lower ventilation fin structure, no dust.
- Variety of light distribution, variety of installation types, same shape, an effective solution to beautify workshop and device platform.
- The shell is made of high-tech surface treatment technology, corrosion resistant, waterproof and dustproof, suitable for harsh environments.
- It adopts imported light source, no dark zone in light spot, no ghosting, the entire lighting efficiency average up to 120lm / W, can save 60% or more on energy than the metal halide lamp.
- Taiwan Meanwell power supply or same quality power supply, power factor above 0.98, high reliability and long time service life.
- Independent side open increased safety wiring chamber, safe and easy installation and maintenance.
- It can quickly replace the light source without welding.
- Intelligent control functions (1 ~ 10VDC, PWM, carrier, DALI and other Dimming mode).

## Main Specification

Item	Technical Parameters
Input voltage (V)	90~305VAC
	18~43VAC/ 18~55VDC (25~60W)
Rated frequency	50Hz / 60Hz
Light source	LED
Service life	50,000
CRI	Ra 70 (80 optional)
CCT	5000K(3000K/4000K optional)
Leading-in cable diameter	φ 10~ φ 14mm
Terminal	Multi core: ≤2.5mm <sup>2</sup>
	Single core: ≤4mm <sup>2</sup>
Dimension (mm)	φ 230×270
Net weight (kg)	4.2


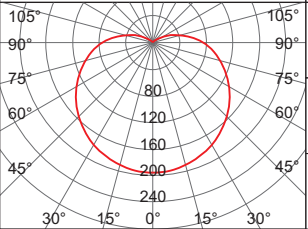
## Ordering Reference

Model Number	Picture	Rated wattage (W)	Light output (lm)	Space height ratio	Mounting height (m)	Light distribution Curve(1000cd/lm)	Equivalent to
							MH
ZY8603P-L50-40°		50W	5400	0.7	5~8m		100W
ZY8603P-L60-40°		60W	6700				150W
ZY8603P-L80-40°		80W	8400		8~10m		175W

Model Number	Picture	Rated wattage (W)	Light output (lm)	Space height ratio	Mounting height (m)	Light distribution Curve(1000cd/lm)	Equivalent to
							MH
ZY8603P-L30-60°		30W	3400	0.9	3~6m		70W
ZY8603P-L40-60°		40W	4400				100W
ZY8603P-L50-60°		50W	5400		> 100W		
ZY8603P-L60-60°		60W	6700		150W		
ZY8603P-L80-60°		80W	8400		175W		
ZY8603P-L30-80°		30W	3500	1.35	3~6m		70W
ZY8603P-L40-80°		40W	4500				100W
ZY8603P-L50-80°		50W	5600		> 100W		
ZY8603P-L60-80°		60W	6900		150W		
ZY8603P-L80-80°		80W	8700		175W		
ZY8603P-L30-100°		30W	3500	1.4	3~6m		70W
ZY8603P-L40-100°		40W	4600				100W
ZY8603P-L50-100°		50W	5600		> 100W		
ZY8603P-L60-100°		60W	7000		150W		
ZY8603P-L80-100°		80W	8800		175W		
ZY8603P-L30-200°		30W	2800	1.75	2~5m		70W
ZY8603P-L40-200°		40W	3700				100W
ZY8603P-L50-200°		50W	4500		> 100W		
ZY8603P-L60-200°		60W	5400		150W		
ZY8603P-L80-200°		80W	6800		175W		
Low voltage: 18~43VAC/ 18~55VDC							
ZY8603P-L25D-60°		25W	2800	0.9	3~6m		70W
ZY8603P-L40D-60°		40W	4400				100W
ZY8603P-L60D-60°		60W	6700		150W		
ZY8603P-L25D-80°		25W	2900	1.35	3~6m		70W
ZY8603P-L40D-80°		40W	4600				100W
ZY8603P-L60D-80°		60W	6900		150W		
ZY8603P-L25D-100°		25W	2900	1.4	3~6m		70W
ZY8603P-L40D-100°		40W	4600				100W
ZY8603P-L60D-100°		60W	7000		150W		

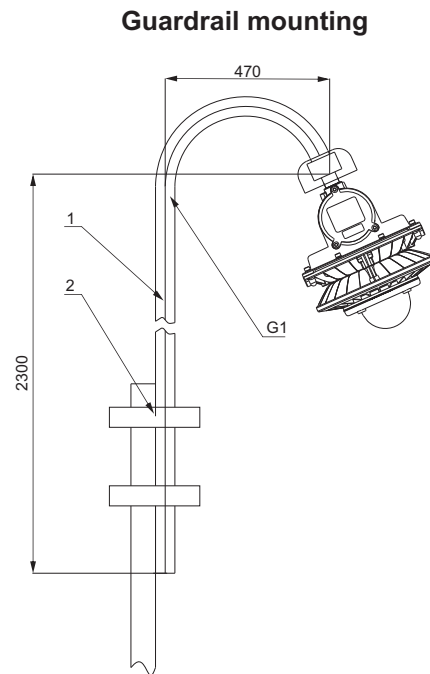
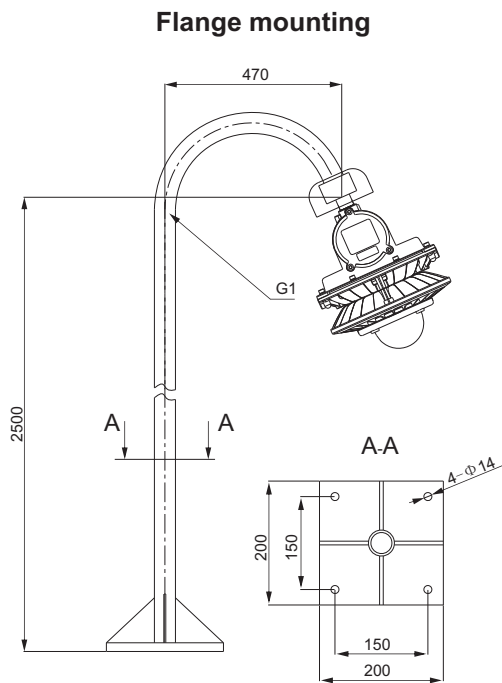
# ZY8603P Series LED Lights(Pole)



Model Number	Picture	Rated wattage (W)	Light output (lm)	Space height ratio	Mounting height (m)	Light distribution Curve(1000cd/lm)	Equivalent to
							MH
ZY8603P-L25D-200°		25W	2400	1.75	2~5m		70W
ZY8603P-L40D-200°		40W	3700				100W
ZY8603P-L60D-200°		60W	5400		150W		

Note 1: the above model with light for the recommended distribution, but also according to the actual need to choose other light distribution.

## Drawing of dimension (Dimensions in mm)



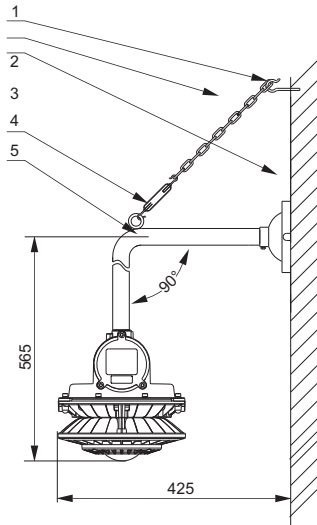
### Accessories Ordering Information (optional)

Model No.	NO.	Specifications Model	Quantity
P06	1	Guardrail pole	1

### Accessories Ordering Information (optional)

Model No.	NO.	Specifications Model	Quantity
P05	1	Guardrail pole	1
	2	U-bolts	2

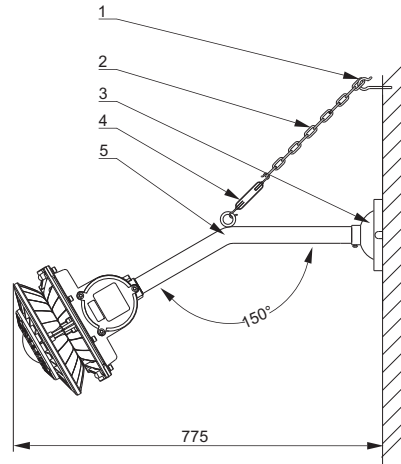
**Wall mounting 90°**



Accessories Ordering Information (optional)

Model No.	NO.	Specifications Model	Quantity
P16	1	Expansion screw hook	1
	2	Chain	1
	3	Suction cup	1
	4	C-C the turnbuckle	1
	5	90° bend pole(G3/4")	1

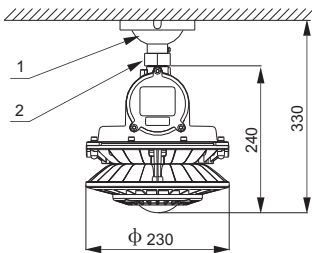
**Wall mounting 150°**



Accessories Ordering Information (optional)

Model No.	NO.	Specifications Model	Quantity
P15	1	Expansion screw hook	1
	2	Chain	1
	3	Suction cup	1
	4	C-C the turnbuckle	1
	5	150° bend pole (G3/4")	1

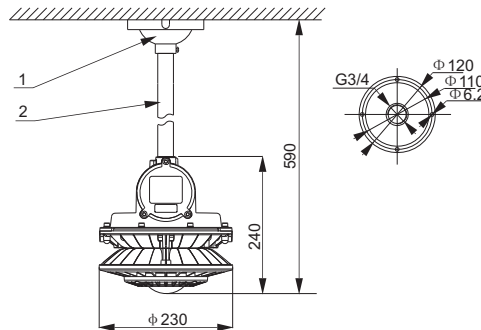
**Ceiling mounting**



Accessories Ordering Information (optional)

Model No.	NO.	Specifications Model	Quantity
P17	1	Suction cup	1
	2	Adapt G3/4"(M-M)	1

**Pole mounting**



Accessories Ordering Information (optional)

Model No.	No.	Specifications Model	Quantity
P14	1	Suction cup	1
	2	30cm straight pole(G3/4")	1