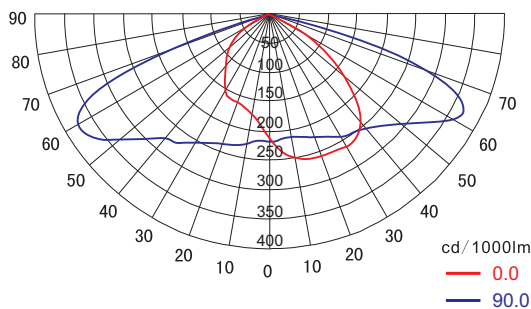




Application

This product is widely used in the plant roads, highways at all levels, urban roads as street lighting.

Light Distribution Curve



Characteristics

- Apply the design of lens with different angles, make irradiation surface wider, fully effective use of light. Illumination uniformity, no glare, does not cause eyestrain of workers, improve work efficiency.
- Modular design could solve the difficult maintenance problem of conventional LED lighting. You can achieve module replacement without opening light fixtures.
- Professional street lighting design, can save 60% or more on energy than the metal halide lamp.
- Equipped with electrical appliance of Meanwell or other world top ranking brand, AC and DC wide voltage constant power supply, power factor up to 0.98.
- Lamps internal components with anti-10KV lightning, effectively avoid risk of failure caused by high altitude lightning.
- Housing made of aluminum alloy processing, standard 304 stainless steel materials, using high-tech anti-corrosion surface treatment technology, suitable for a variety of harsh industrial operating environment.
- According to user needs, can choose light fixtures with a variety of intelligent control.

Main Specification

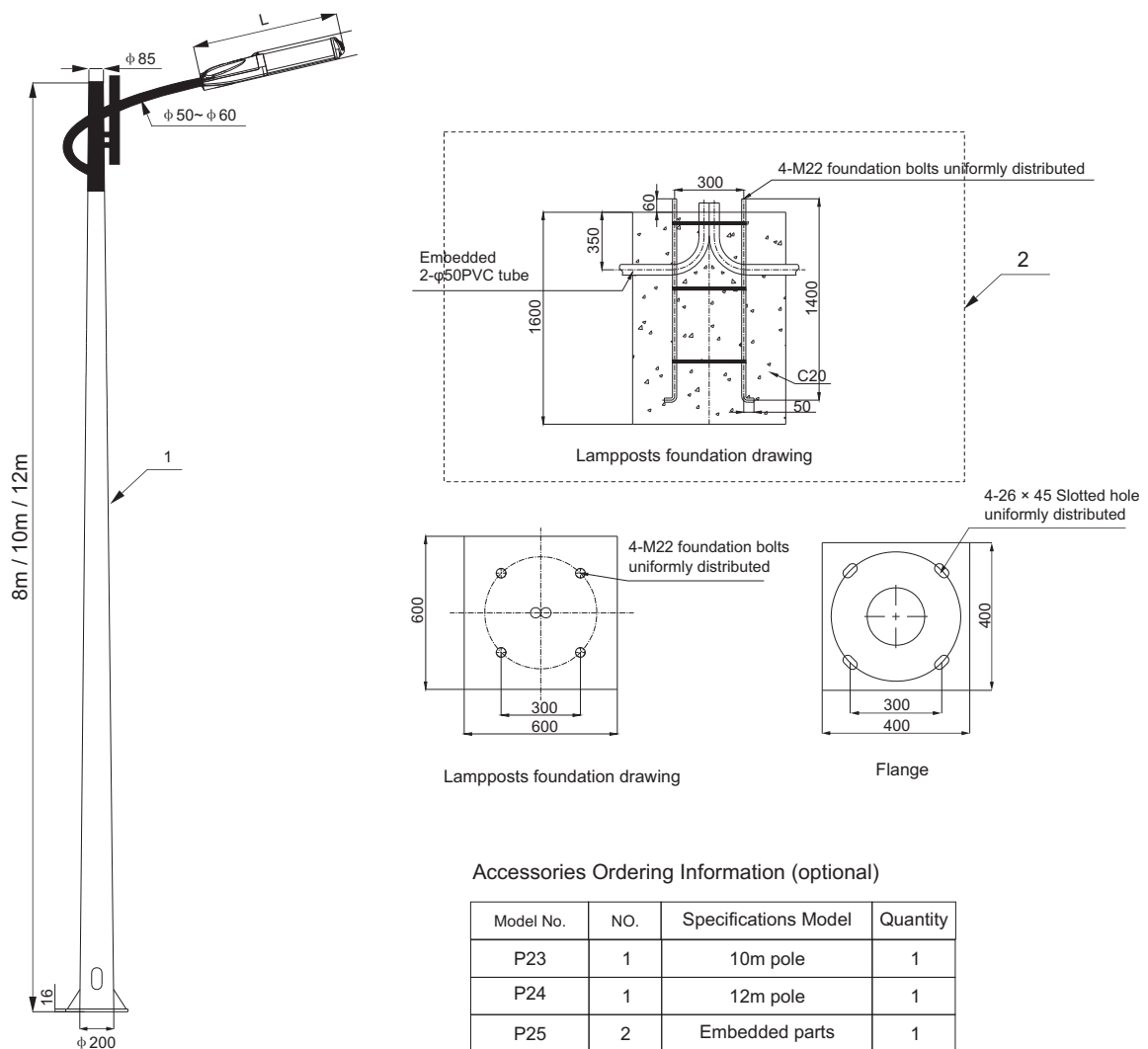
Item	Technical Parameters
Input voltage (V)	90~305VAC
Rated frequency	50Hz / 60Hz
Light source	LED
Life time (h)	50,000
CRI	Ra 75
CCT	5000K \pm 250K
Space height ratio	3.5



Ordering Reference

Model Number	Rated wattage (W)	Light output (lm)	Size (mm)	Mounting height (m)	Net weight (Kg)	Equivalent to
						Metal Halide Lamp
ZY8702-L60	60W	6600	520(L)×315×100	6~8	6.5	150W
ZY8702-L80	80W	8800	520(L)×315×100		6.5	175W~250W
ZY8702-L100	100W	11000	520(L)×315×100	8~12	6.5	250W
ZY8702-L120	120W	13200	520(L)×315×100		6.5	250W~400W
ZY8702-L150	150W	16500	615(L)×315×100	12~15	7.5	400W
ZY8702-L180	180W	18900	615(L)×315×100		7.5	600W
ZY8702-L240	240W	25200	710(L)×315×100		8.5	600W~800W

Drawing of dimension (Dimensions in mm)



Single arm installation (pole optional)