



RoHS
LM79
LM84



Ex marking: Ex db e IIC T4/T3 Gb
Ex tb IIC T130°C/T195°C Db,IP66

Application

- Ideal to be used in the oilfield, chemical industry, offshore drilling platform, steel industry, petroleum etc.
- Gas explosive environment: Group IIA, IIB, IIC.
- Zone 1, zone 2; zone 21, zone 22.



Characteristics

- It is made using a special aluminum housing, all exposed fasteners and bracket adopt 304 stainless steel. Using high-tech anti-corrosion surface treatment technology, suitable for long-term highly corrosive environment of offshore oil platforms, oil drilling platform, chlor-alkali, vulcanization cyanide, etc.
- A full range of high conductivity material accelerate convection cooling structure, effective guarantee long-term use in high temperature environments.
- Variety of light distribution, variety of installation types, an effective solution to beautify workshop and device platform.
- The shell is made of high-tech surface coating technology, corrosion resistant, waterproof and dust proof, suitable for harsh environments.
- Optoelectronic integrated technology, no dark spot, no ghosting, the average light efficiency of whole lamp can reach to 120 lm/W, energy-saving is 60% more than Metal Halide Lamp.
- Taiwan Meanwell driver or driver with same quality, power factor above 0.98, high reliability and long time service life.
- Independent wiring chamber, safe and easy installation and maintenance.
- Quick replay light source without welding.
- Intelligent control functions can be realized. (Dimming: 1-10VDC, PWM, Carrier, DALI, etc.)

Main Specification

Item	Technical Parameters
Input voltage (V)	90~264VAC
Rated frequency	50Hz / 60Hz
CRI (Ra)	70 (80 optional)
Life time (h)	50,000
CCT	5000K(3000K/4000K optional)
Cable entry	M20×1.5, NPT1/2"
Terminals	Multi core: ≤4mm ²
	Single core: ≤6mm ²
Dimension (mm)	341×330×350
Net weight (kg)	8.1

Ordering Reference

Ordering reference	Picture	Rated Wattage (W)	Light output (lm)	Light distribution curve(1000cd/lm)	Equivalent to
					MH
BC9307S□-L100-18°		100W	10000		250W
BC9307S□-L120-18°		120W	11500		> 250W
BC9307S□-L150-18°		150W	14600		400W
BC9307S□-L180-18°		180W	15500		> 400W

BC9307S LED Explosion Proof Light (Bracket -Spotlight)

TORMIN

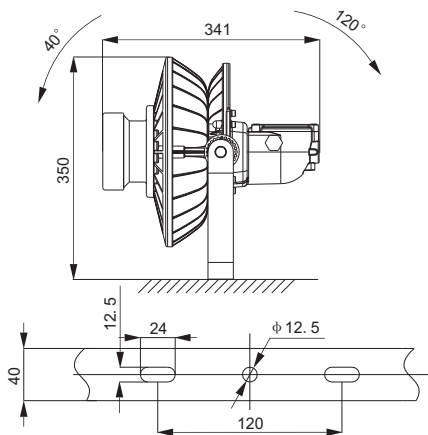
Ordering Reference

Ordering reference	Picture	Rated Wattage (W)	Light output (lm)	Light distribution curve(1000cd/lm)	Equivalent to
					MH
BC9307S□-L200-25°		200W	20300		>400W
BC9307S□-L240-25°		240W	23500		400W~600W

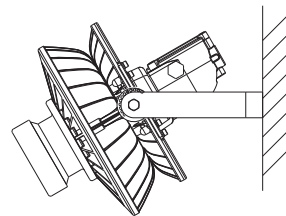
Note : order number "□" according to the actual installation needs fill in 1 or 2, S1 straight stent, S2 angle bracket.

Drawing of dimension (Dimensions in mm)

Seat mounting

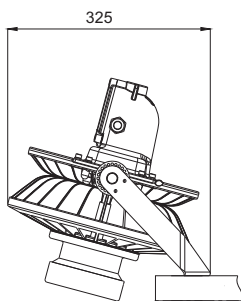
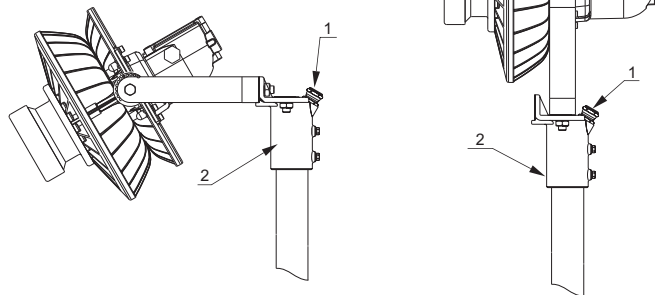


Side wall mounting



BC9307S1

Pole mounting



BC9307S2

Accessories ordering information(optional)

Ordering reference	Item no	Specification	quantity	note
P07	1	Water proof plug M20	1	φ 8~ φ 12mm cable
	2	Vertical Mounting pole	1	φ 40~ φ 50mm pole