

LED

IP66

-40 °C

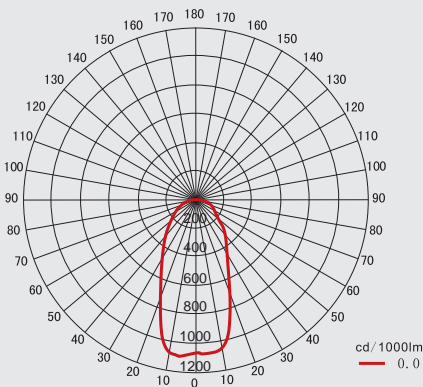
+50 °C



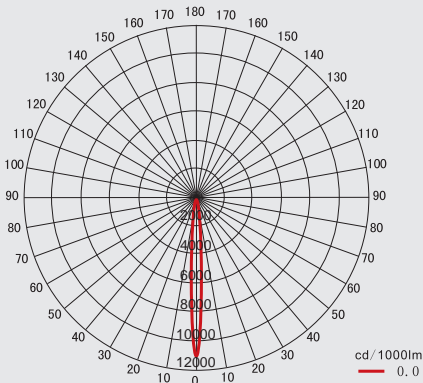
Spot (Standard)

Flood

Light distribution curve



Flood



Spot

Application

It can be used as spotlight in factory, construction site and some other indoor or outdoor places.

Characteristics

- It efficiently utilize the light to 95%.Glare free, have a good performance of illuminance uniformity. Operator can choose the beam angle according to the application.
- It adopts American CREE LED as light source, can save 60% or more on energy than the metal halide lamp
- The light source is separated from the electrical appliance. This split style with the high efficiency radiator have solved the heating-up problem so that ensure the 100,000 hours LED lifespan.
- Equipped with world top ranking brand, Taiwan Meanwell electrical appliance with power factor 0.98, make the lamp's performance more stable and efficient
- The locking device on the bracket will keep the lamp from shift or trembling during harsh vibration.
- The housing adopts high-tech surface spraying technology, abrasion resistance corrosion, waterproof, dustproof, suitable to be used at all kinds of environments.
- Quick opening lid, easy to maintain.
- Floodlight beam angle is available according to customers' requirement.

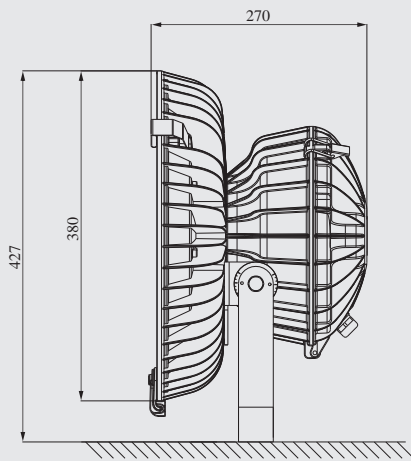
Main specification

Input Voltage	90~305VAC / 127~431VDC
Output Voltage	54VDC
Frequency	50Hz / 60Hz
Ingress Protection	IP66
Anti Corrosion Grade	WF2
Insulation Grade	I
Space Height Ratio	1.8
Thread	G3/4"
Leading-in cable diameter	10mm - 12mm
Dimension	380 × 270mm
Net Weight	8Kg

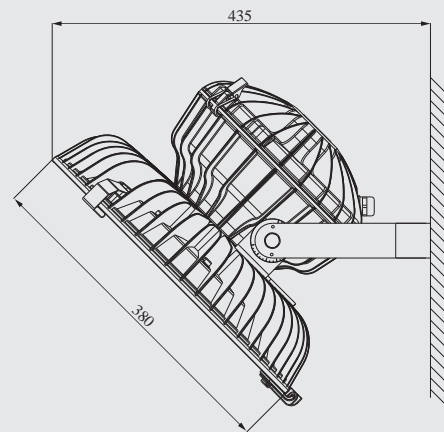
Ordering reference

Ordering Reference	Light Source	Rated wattage (W)	Light output (lm)	Equivalent to		
				Metal Halide Lamp	Electrode Less Lamp	Mercury lamp
ZY8302-L60	LED	60	8,194	150W	135W	175W
ZY8302-L80	LED	80	10,016	175~250W	165W	250W
ZY8302-L100	LED	100	11,568	250W	200W	250~400W
ZY8302-L120	LED	120	13,310	250~400W	250W	400W

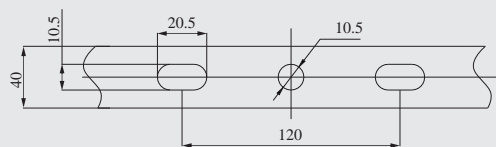
Drawing of dimension (Dimensions in mm)



Seat-mounting



Side wall-mounting



Mounting hole drawing