

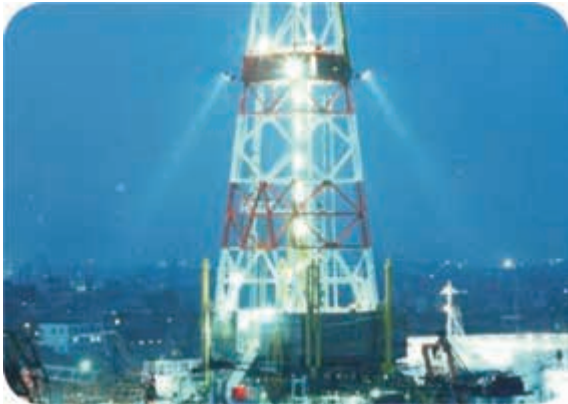


Characteristics

- Housing made of special aluminum processing, hardware and brackets adopt 304 stainless steel, using high-tech anti-corrosion surface treatment technology, can be long-term suitable for seaside, chlor-alkali, hydrogen sulfide and other highly corrosive areas.
- Superconducting aluminum comprehensive self-loop thermal design, long-term suitable for operating environment with high temperature and high humidity. Upper and lower ventilation fin structure, no dust.
- Variety of light distribution, variety of installation types, same shape, an effective solution to beautify workshop and device platform.
- The shell is made of high-tech surface treatment technology, corrosion resistant, waterproof and dustproof, suitable for harsh environments.
- It adopts Imported light source, no dark zone in light spot, no ghosting, the entire lighting efficiency average up to 120lm / W, can save 60% or more on energy than the metal halide lamp.
- Taiwan Meanwell power supply or same quality power supply, power factor above 0.98, high reliability and long time service life.
- Independent side open increased safety wiring chamber, safe and easy installation and maintenance.
- It can quickly replace the light source without welding.
- Intelligent control functions (1 ~ 10VDC, PWM, carrier, DALI and other Dimming mode).

Application

Idea to be used in the platform water control room, fire water pump room and etc.



Main Specification

Item	Technical Parameters
Input voltage (V)	90~305VAC
	18~43VAC/ 18~55VDC
Rated frequency	50Hz / 60Hz
Light source	LED
CRI	Ra 70 (80 optional)
Life time (h)	50,000
CCT	5000K(3000K/4000K optional)
Leading-in cable diameter	φ 6mm~ φ 12mm
Terminal	Multi core: ≤2.5mm ²
	Single core: ≤4mm ²
Dimension (mm)	291×260×270
Net weight (kg)	5.4

Ordering Reference

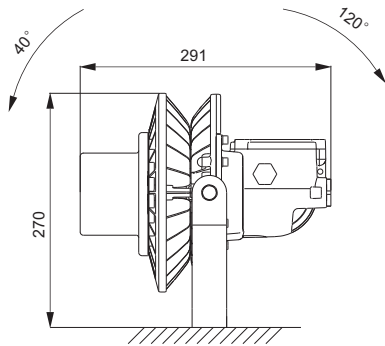
Model Number	Picture	Rated wattage (W)	Light output (lm)	Light distribution Curve(1000cd/lm)	Equivalent to
					MH
ZY8603S-L60-18°		60W	5900		150W
ZY8603S-L80-18°		80W	7500		175W

ZY8603S Series LED Lights(Bracket cast light)

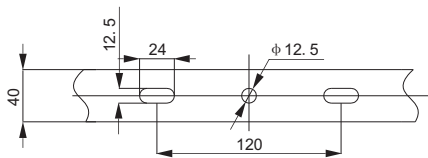
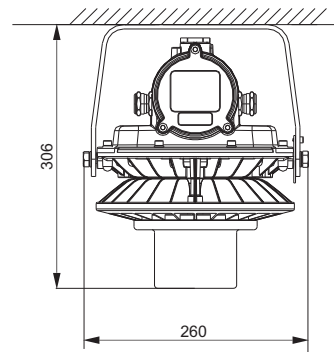
TORMIN

Drawing of dimension (Dimensions in mm)

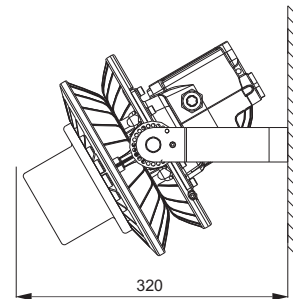
Seat mounting



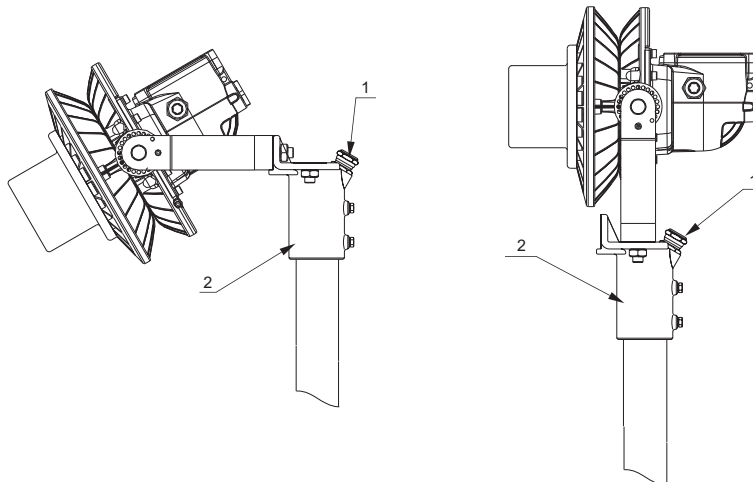
Ceiling mounting



Side wall mounting



Pole Mounting



Accessories Ordering Information (optional)

Model No.	NO.	Specifications Model	Quantity	Remark
P07	1	Waterproof ConnectorM20	1	Suitable for $\Phi 8\text{mm}-\Phi 12\text{mm}$ Cable
	2	Pole mounting bracket	1	Suitable for DN32, DN40 pole