



### Application

Suitable as long distance cast lighting for offshore platform equipment, cargo terminal, stockyard and other high, medium installation height wet corrosive environments.



### Characteristics

- It is made using a special aluminum housing, suitable for long-term highly corrosive environment of offshore platforms, chlor-alkali, vulcanization cyanide.
- A full range of high conductivity material accelerate convection cooling structure, effective guarantee long-term use in high temperature environments.
- Variety of light distribution, variety of installation types, an effective solution to beautify workshop and device platform.
- The shell is made of high-tech surface coating technology, corrosion resistant, waterproof and dust proof, suitable for harsh environments.
- Imported light source, high luminous efficiency 120lm/w, low-light failure Taiwan Meanwell power supply or same quality power supply, power factor above 0.98, high reliability and long time service life.
- Independent wiring chamber, safe and easy installation and maintenance.
- It is available to intelligent control functions(1-10VDC, PWM, Carrier DALI etc dimming)
- All exposed fasteners adopt 304 stainless steel(ocean platform 316 stainless steel optional). Effectively ensure light strength and corrosion resistance.

### Main Specification

| Item                      | Technical Parameters            |
|---------------------------|---------------------------------|
| Input voltage (V)         | 90~305VAC                       |
| Rated frequency           | 50Hz / 60Hz                     |
| Light source              | LED                             |
| CRI                       | 70 (80 optional)                |
| Life time (h)             | 50,000                          |
| CCT                       | 5000K(3000K/4000K optional)     |
| Leading-in cable diameter | φ 6mm~ φ 12mm                   |
| Terminal                  | Multi core: ≤ 4mm <sup>2</sup>  |
|                           | Single core: ≤ 6mm <sup>2</sup> |
| Dimension (mm)            | 341 × 330 × 350                 |
| Net weight (kg)           | 8                               |


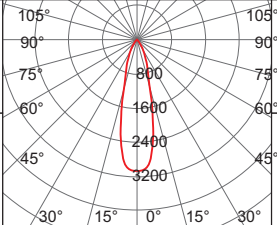
### Ordering Reference

| Order reference   | Picture | Rated wattage (W) | Light output (lm) | Lighting distribution (1000cd/lm) | Equivalent to |
|-------------------|---------|-------------------|-------------------|-----------------------------------|---------------|
|                   |         |                   |                   |                                   | MH            |
| ZY8605S□-L100-18° |         | 100W              | 10000             |                                   | 250W          |
| ZY8605S□-L120-18° |         | 120W              | 11500             |                                   | > 250W        |
| ZY8605S□-L150-18° |         | 150W              | 14600             |                                   | 400W          |
| ZY8605S□-L180-18° |         | 180W              | 15500             |                                   | > 400W        |

# ZY8605S Series LED Lights(Bracket cast light)

# TORMIN

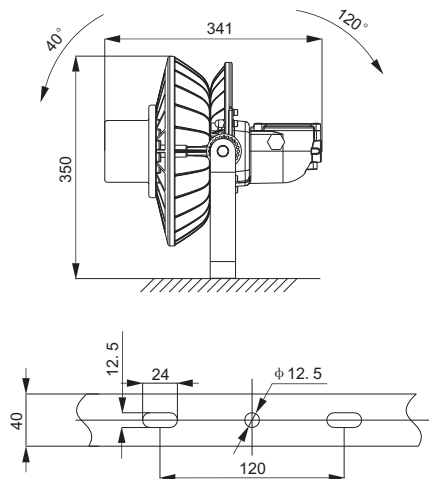
## Ordering Reference

| Order reference   | Picture   | Rated wattage (W) | Light output (lm) | Lighting distribution (1000cd/lm)   | Equivalent to |
|-------------------|---|-------------------|-------------------|---|---------------|
|                   |   |                   |                   |   | MH            |
| ZY8605S□-L200-25° |  | 200W              | 20300             |  | >400W         |
| ZY8605S□-L240-25° |   | 240W              | 23500             |   | 400W~600W     |

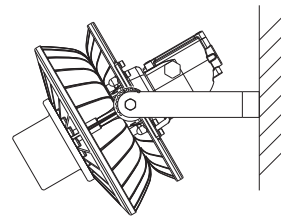
Note 2: order number " " according to the actual installation needs fill in 1 or 2, S1 straight stent, S2 angle bracket.

## Drawing of dimension (Dimensions in mm)

**Seat mounting**

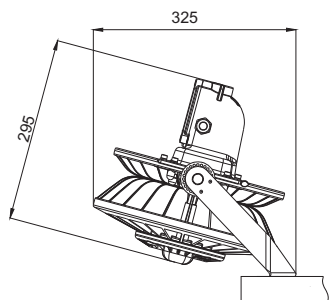


**Side wall mounting**



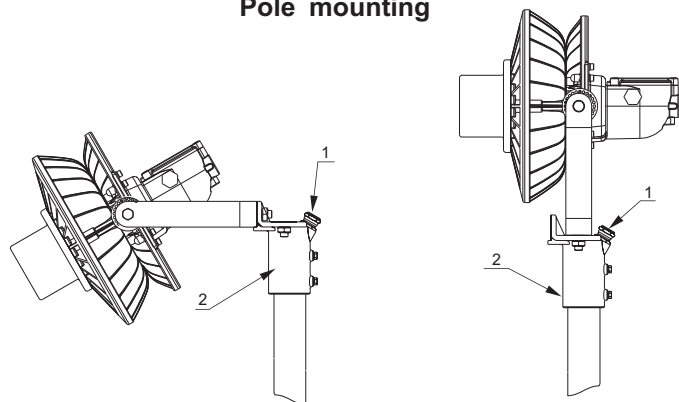
ZY8605S1

**Seat mounting**



ZY8605S2

**Pole mounting**



| Ordering Reference | Item no. | Specification             | Quantity | note                          |
|--------------------|----------|---------------------------|----------|-------------------------------|
| P07                | 1        | Water proof connector M20 | 1        | Suitable for Φ8mm-Φ12mm cable |
|                    | 2        | Pole mounting bracket     | 1        | Suitable for DN32 , DN40 pole |