

BC5402B Series LED Explosion-proof Light

TORMIN



RoHS



Ex marking: Ex nR IIC T6 Gc
Ex tc IIIC T80°C Dc

Application

Suitable for oil production platform, oil refining platform, living platform, hazardous chemicals ships, shore machines and other hazardous areas. Suitable for gas explosion area Zone 2

Characteristics

- Seawater resistant, anodized aluminum housing.
- Flexible light exit cover, soft and comfortable light.
- The whole lighting effect is over 110 lm/W.
- Ship-level anti-vibration test.
- Outdoor light diffusion material translucent cover, strong weather resistance.
- Independent junction box design, convenient wiring, can be used in parallel with multiple lamps.
- Exposed fasteners are all made of 304 stainless steel (Ocean platform requires custom 316 stainless steel).

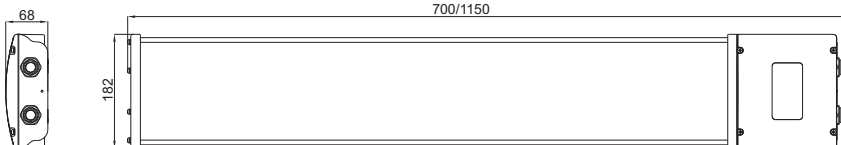
Main Specification

Item	Technical Parameters				
	BC5402B-L20	BC5402B-L30	BC5402B-L40	BC5402B-L60	BC5402B-L80
Rated wattage (W)	20W	30W	40W	60W	80W
Input voltage (V)	90~264VAC,50/60Hz				
Light output (lm)	2200lm	3300lm	4400lm	6300lm	8400lm
CCT	5000K (3000K/4000K Optional)				
CRI (Ra)	70				
IP class	IP66				
Ambient Temperature	-40°C~+55°C				
Number of cable inlets	1~2				
Screw Thread of cable inlets	M20*1.5, M25*1.5, NPT1/2, NPT3/4				
Dimension (mm)	700×182×68	700×182×68	700×182×68	1150×182×68	1150×182×68
Net Weight (kg)	3.2	3.2	3.2	4.5	4.7

Emergency mode available: emergency 15w, duration 120min

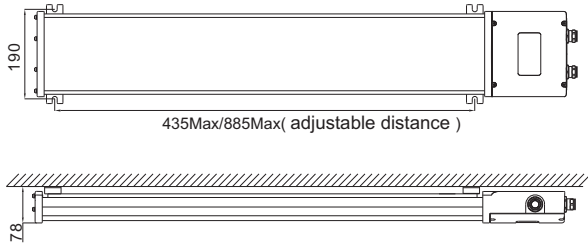
emergency 25w, duration 70min

Drawing of dimension (Dimensions in mm)

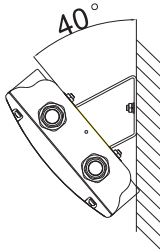


Drawing of dimension (Dimensions in mm)

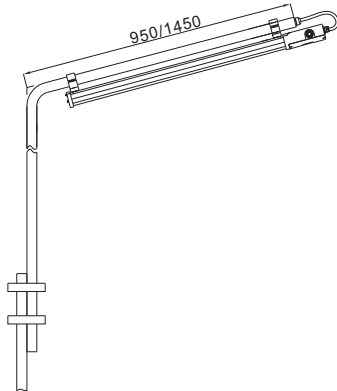
1. Bracket mounting(Standard)



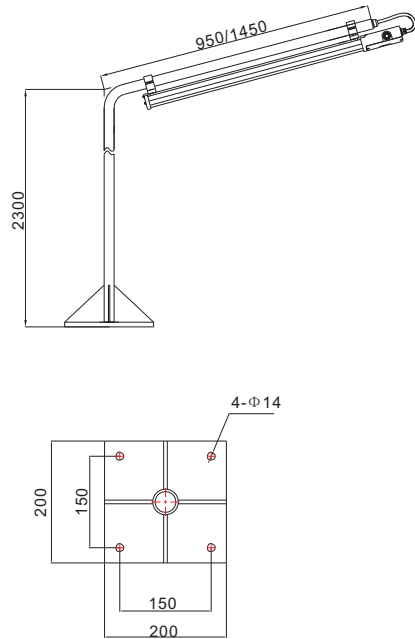
2. Side wall mounting (40 degree)



3. Guardrail installation



4. Flange mounting



Ordering reference

Item No.	Rated wattage(W)	Input voltage(V)	CCT	CRI	Mounting type	Number of cable inlets
BC5402B-L	20/ 30/ 40/ 60/ 80	100V/240V	3000K-30 4000K-40 5000K-50	R7(Ra70) R8(Ra80)	S1 Bracket mounted S2 Side wall mounted S3 Guardrail installation S4 Flange mounting	E1(one cable inlet) E2(two cable inlets)

Example: Specification of Lamp is Power 20W, Color temperature 4000K, Bracket mounting, One cable inlet.
Order number as BC5402B-L20W100/240V40R7S1E1