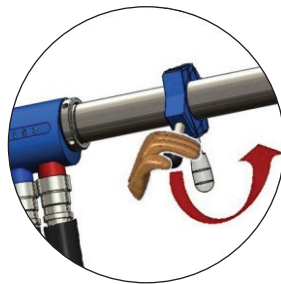
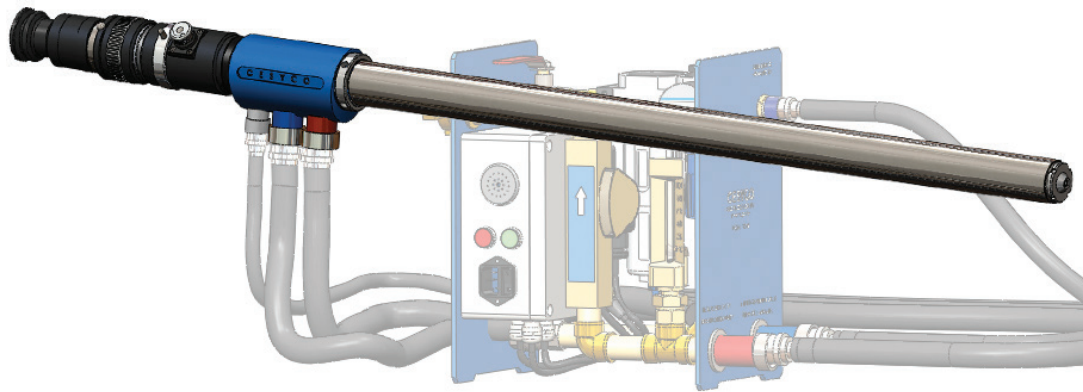


PRODUCT FILE



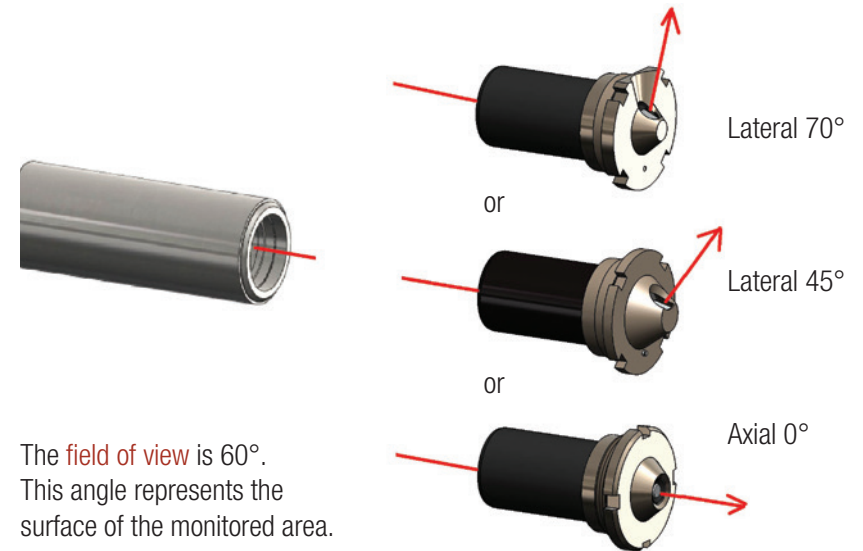
Allows the rotation of the water jacket without rotating the hoses.

**The endoscope HTO 38 CESYCO is rather aimed for inspections of high temperature furnaces where the light is high. Its small diameter, its lightness and the fact that it is extremely handy allow it to use it as a portable endoscope ; however it can be used as a stationary endoscope.**

The endoscope HTO 38 provides a high quality of images with its objective lenses transmission. The observation of the furnace is possible to the naked eye but a video or a camera can be adapted to record the images. With the rotation of its cooling jacket, the endoscope HTO 38 is very easy to use and matches the furnaces whose temperature can reach up to 2 000°C. The endoscope HTO 38 is available in different lengths. It is equipped with different exchangeable objective lenses which allow to change its direction of view.

**Exchangeable objective lenses**

The **direction of vision** is the axis the endoscope looks towards. It can be axial or lateral.



The **field of view** is 60°. This angle represents the surface of the monitored area.

**HTO-38**

**PORTABLE ENDOSCOPE**

High temperature endoscopes | design, production, sales and services on site

∅ 38 mm

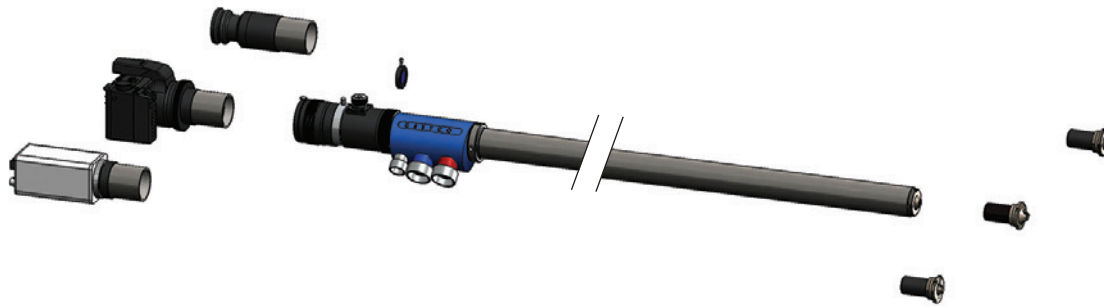
2 000°C



**CESYCO**

# HTO-38 | Endoscope portable

This endoscope can be used alike with three objective lenses and three adapters.



The **objective lenses** are separate optic systems which allow to change the direction of vision of the endoscope.



The **adapters** are additional optic systems to the objective lens. They allow the image transfer to the naked eye or the CCD sensor.



**Eyepiece**  
See to the naked eye

**Camera**  
See and take HD pictures

**Video**  
See and record videos

## ACCESSORIES

**Monitoring system** of the fluids which triggers the alarm in case of dysfunction.

**Safety station:** portable equipment



Technologies	Full image transmission	Optical	
	Cooling system	Triple jacket	
Using temperature	From 750°C to 2 000°C		
Dimensions	Diameter	38 mm	
	Length	900 mm or 1 200 mm	
	Weight	7 Kg	
Cooling system	Water	Loop system	
	Air	Lost	
Water Housing	Rotation	Free on 360°	
Objective lenses	Exchangeable DoV	0° - 45° - 70°	
	Field of View	60°	
Focus	Focusing ring	From 10 cm to infinity	
Iris	Mechanical	From 0,5 mm to full opening	
Connections	Inlet/Outlet	Water: BSP 1/2"	
		Air: BSP 3/8"	
Accessories delivered	Naked eye	Eyepiece	
	Video adapter	C/CS mount	
	Camera adapter	T2 ring for DSLR	
	Filters	Grey and colored	
	Focal enlarger	2 X enlarger FoV 30°	
	Control and security	Safety station	
		Extraction bench	

