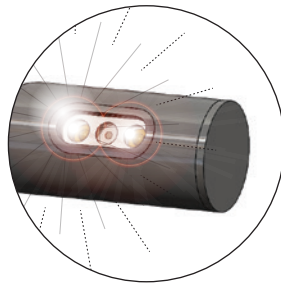
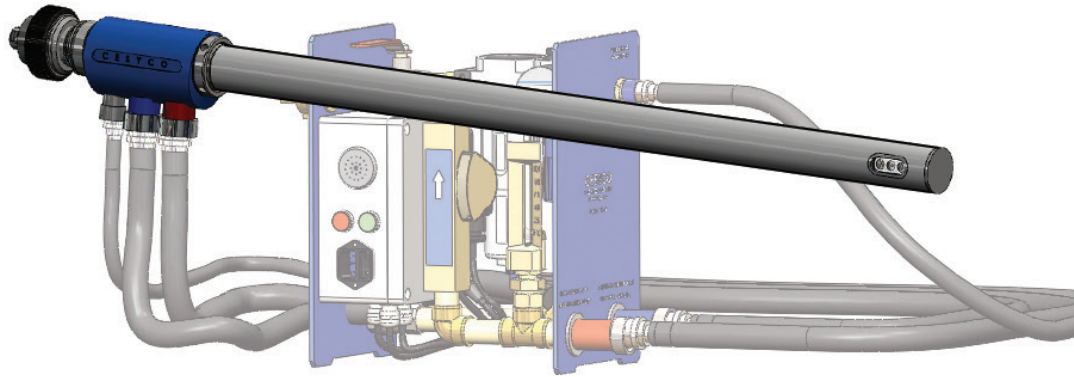


PRODUCT FILE



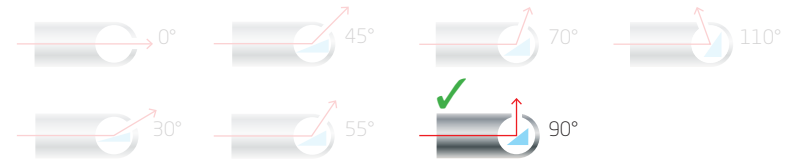
To inspect the dark areas, the endoscope is equipped with a led lighting system.

The videoscope HTV-38 CESYCO equipped with a leds lighting system is rather aimed for inspections of high temperature furnaces where the light is particularly low or where there is nearly no light. Its small diameter, its lightness and the fact that it is extremely handy allow it to use it as a portable endoscope ; however it can be used as a stationary endoscope.

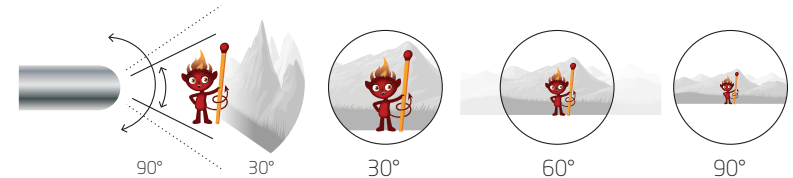
The observation of the furnace is only possible with the video set which records the images on a screen. With the rotation of its cooling jacket, the videoscope HTV-38 is easy to use and matches the furnaces whose temperature can reach up to 1 600°C. The videoscope HTV-38 in lateral view is available in different lengths. One of the advantages of the videoscope HTV-38 with its leds lighting system is that it can be suggested at an attractive price.

Available options

The direction of vision is the axis the endoscope looks towards. It can be axial or lateral. You have to choose your direction of vision in the table below:



Once your direction of vision is chosen, choose your field of view.



Field of view: angle representing the surface of the monitored area. Bigger is the angle, more panoramic is the vision.

HTV-38

ENDOSCOPE PORTABLE

High temperature endoscopes | design, production, sales and services on site

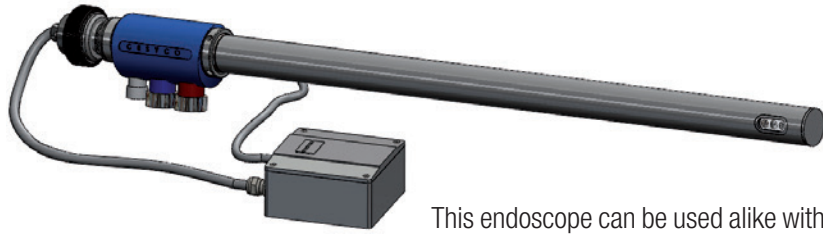
∅ 38 mm

1600°C



CESYCO

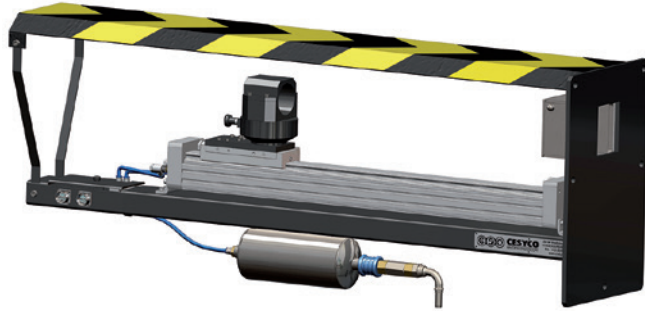
HTV-38 | Portable endoscope



This endoscope can be used alike with its electrical box and the accessories below.

ACCESSORIES

- **Extraction bench:** Mobile system which allows to introduce and to remove the endoscope from the furnace. It ensures its safety in case of dysfunction.



- **Monitoring system** of the fluids which triggers an alarm in case of dysfunction:



Safety station: portable equipment



Control cabinet: stationary equipment fixed on the wall

Technologies	Image transmission	Video
	Cooling system	Triple jacket
Using temperature	From 200°C to 1 600°C	
Dimensions	Diameter	38 mm
	Length	From 500 mm to 5 000 mm
	Weight	From 7 Kg to 15 Kg
Cooling system	Water	Loop system
	Air	Lost
Distributeur	Rotation	Free on 360°
Inner video camera	CCD size	1/3" EX-view CCD Sony
	Effective pixels	795(H) x 596 (V) 320 K
	Illumination	0.005 Lux to F2.0
	Resolution	420LTV
Direction of Vision	Lateral 90°	
Field of View	Exchangeable	30° - 60° - 90°
Focus	Focusing ring	From 10 cm to infinity
Illumination	2 white LEDs	
Connections	Inlet/Outlet	Water: BSP 1/2"
		Air: BSP 3/8"
Power supply	Electrical box	100 to 250 VAC 50/60 Hz Video output on BNC
Accessories	Control and security	Safety station
		Extraction bench

