

CE

RoHS  
LM79  
LM84

IP  
66

Ta  
50

Ta  
-25



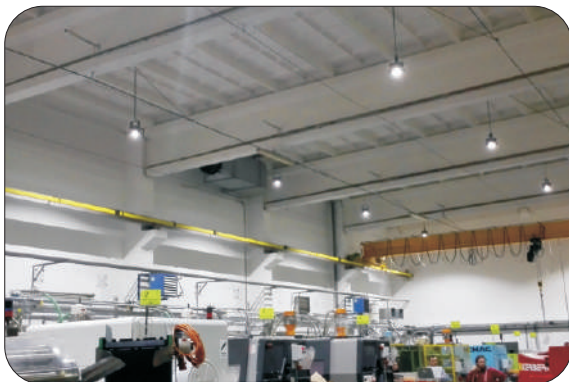
ZY8603AP/BP



ZY8603A1P/B1P

## Application

It is suitable for emergency lighting in the installation platform, water control room, fire pump room and other places.



## Characteristics

- It is made using a special aluminum housing, suitable for long-term highly corrosive environment of offshore platforms, chlor-alkali, vulcanization cyanide a full range of high conductivity material accelerate convection cooling structure, effective guarantee long term use in high temperature environments. variety of light distribution, variety of installation types, an effective solution to beautify workshop and device platform.
- The shell is made of high-tech surface coating technology, corrosion resistant, waterproof and dust proof, suitable for harsh environments.
- Imported light lens, high luminous efficiency, low-light failure, reliability ranking first in the same light source.
- Independent wiring chamber, safe and easy installation and maintenance.
- All exposed fasteners adopt 304 stainless steel.
- Type A: usually can be used for 24 hours lighting lamps and lanterns to use, when the accident to provide emergency lighting;
- Type B : accident to provide emergency lighting.
- B type A type with manual emergency function.


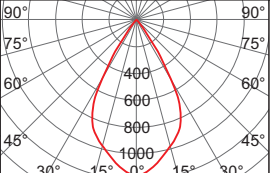

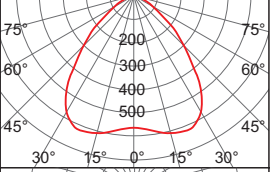

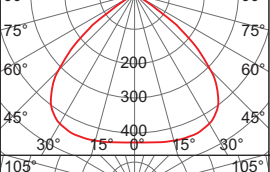

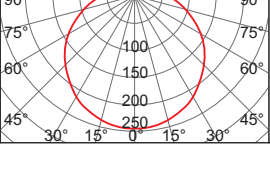

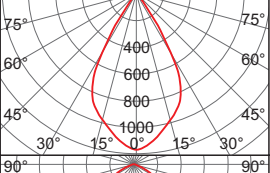

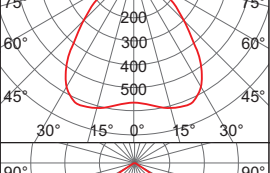

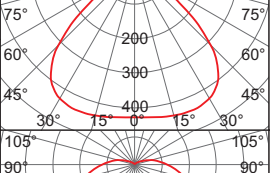


## Main Specification

Item	Technical Parameters	
	ZY8603AP/ BP	ZY8603A1P/ B1P
Type	ZY8603AP/ BP	ZY8603A1P/ B1P
Input voltage (V)	90~264VAC	
Rated frequency	50Hz/ 60Hz	
Light source	LED	
CRI (Ra)	70(80 optional)	
Life time (h)	50,000	
CCT	4000K(3000K/5000K optional)	
Leading-in cable diameter	φ 10~ φ 14mm	
Terminals	Multi core: ≤2.5mm <sup>2</sup>	
	Single core: ≤4mm <sup>2</sup>	
Time of charging (h)	>6	>12
Rated capacity	2. 6Ah / 14. 8V	5.2Ah / 14. 8V
Dimension (mm)	φ 230×240	φ 230×260
Net weight (kg)	4.2	5.2

# ZY8603AP/BP LED Emergency Light(Pole)

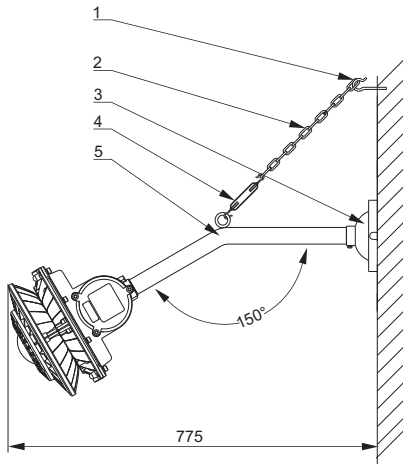
# TORMIN

## Ordering Reference

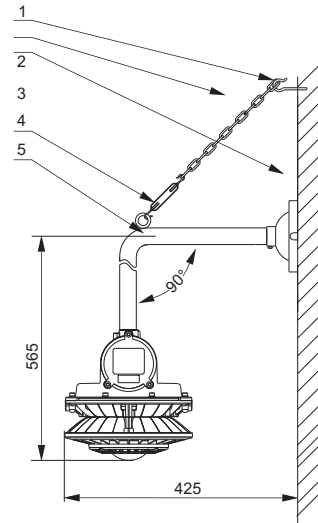
Model number	Picture	Rated wattage (W)	Emergency wattage (W)	Emergency duration (min)	Emergency light output (lm)	Light distribution curve(1000cd/lm)	Space height ratio	Equivalent to
								MH
ZY8603AP-L40-15-60°		40W	15W	120min	1800		0.9	100W / 35W
ZY8603AP-L40-25-60°		40W	25W	70min	3300			100W / 70W
ZY8603A1P-L40-15-60°		40W	15W	240min	1800			100W / 35W
ZY8603A1P-L40-25-60°		40W	25W	140min	3300			100W / 70W
ZY8603AP-L40-15-80°		40W	15W	120min	1800		1.35	100W / 35W
ZY8603AP-L40-25-80°		40W	25W	70min	3300			100W / 70W
ZY8603A1P-L40-15-80°		40W	15W	240min	1800			100W / 35W
ZY8603A1P-L40-25-80°		40W	25W	140min	3300			100W / 70W
ZY8603AP-L40-15-100°		40W	15W	120min	1800		1.4	100W / 35W
ZY8603AP-L40-25-100°		40W	25W	70min	3300			100W / 70W
ZY8603A1P-L40-15-100°		40W	15W	240min	1800			100W / 35W
ZY8603A1P-L40-25-100°		40W	25W	140min	3300			100W / 70W
ZY8603AP-L40-15-200°		40W	15W	120min	1400		1.75	100W / 35W
ZY8603AP-L40-25-200°		40W	25W	70min	2600			100W / 70W
ZY8603A1P-L40-15-200°		40W	15W	240min	1400			100W / 35W
ZY8603A1P-L40-25-200°		40W	25W	120min	2600			100W / 70W
<b>Auto Emergency</b>								
ZY8603BP-15-60°		/	15W	120min	1800		0.9	35W
ZY8603BP-25-60°		/	25W	70min	3300			70W
ZY8603B1P-15-60°		/	15W	240min	1800			35W
ZY8603B1P-25-60°		/	25W	140min	3300			70W
ZY8603BP-15-80°		/	15W	120min	1800		1.35	35W
ZY8603BP-25-80°		/	25W	70min	3300			70W
ZY8603B1P-15-80°		/	15W	240min	1800			35W
ZY8603B1P-25-80°		/	25W	140min	3300			70W
ZY8603BP-15-100°		/	15W	120min	1800		1.4	35W
ZY8603BP-25-100°		/	25W	70min	3300			70W
ZY8603B1P-15-100°		/	15W	240min	1800			35W
ZY8603B1P-25-100°		/	25W	140min	3300			70W
ZY8603BP-15-200°		/	15W	120min	1400		1.75	35W
ZY8603BP-25-200°		/	25W	70min	2600			70W
ZY8603B1P-15-200°		/	15W	240min	1400			35W
ZY8603B1P-25-200°		/	25W	140min	2600			70W

## Drawing of Dimension (Dimensions in mm)

### Wall mounting 150°



### Wall mounting 90°



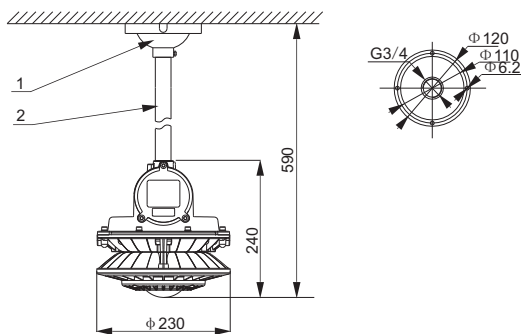
### Accessories order information(Wall mounting 150°)

Order number	No.	Specification	Quantity
P15	1	Expansion screw hook	1
	2	Chain	1
	3	C-C turn buckle	1
	4	G3/4" bend pipe 150Degree	1
	5	Sucker	1

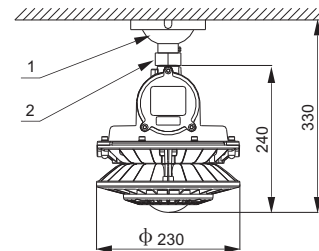
### Accessories order information(Wall mounting 90°)

Order number	No.	Specification	Quantity
P16	1	Expansion screw hook	1
	2	Chain	1
	3	C-C turn buckle	1
	4	G3/4" bend pipe 90Degree	1
	5	Sucker	1

### Pole mounting



### Ceiling mounting



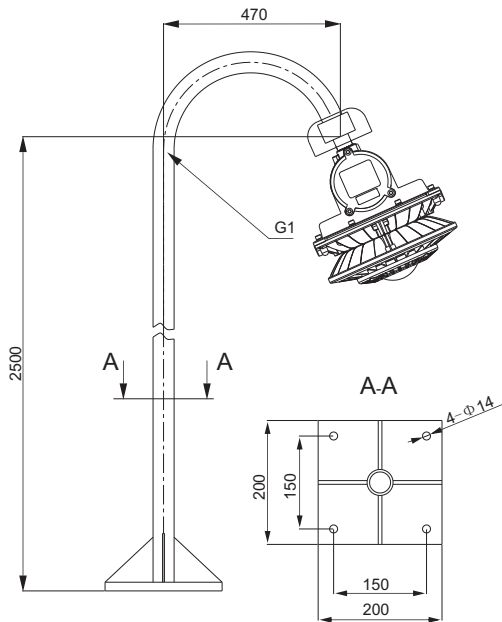
### Accessories order information(Pole mounting)

Order number	No.	Specification	Quantity
P14	1	G3/4" pole 30cm	1
	2	Sucker	1

### Accessories order information(Ceiling mounting)

Order number	No.	Specification	Quantity
P17	1	Sucker	1
	2	Adapter G3/4"(internal-external)	1

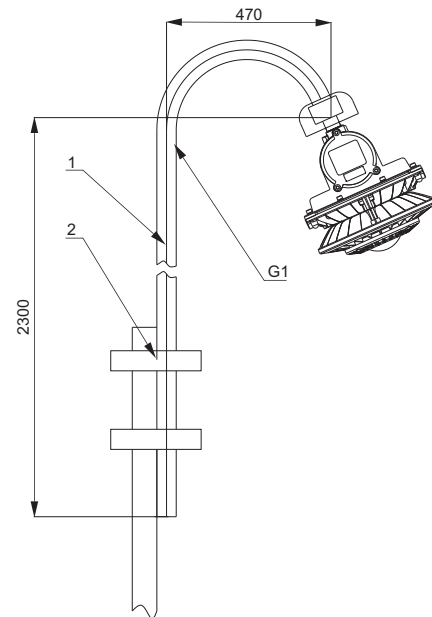
### Flange mounting



### Accessories order information(Flange mounting)

Order number	No.	Specification	Quantity
P06	1	Flange pole	1

### Guardrail mounting



### Accessories order information(Guardrail mounting)

Order number	No.	Specification	Quantity
P05	1	Fence pole	1
	2	U type bolts	2

CE

RoHS  
LM79  
LM84

IP  
66

Ta  
50

Ta  
-25



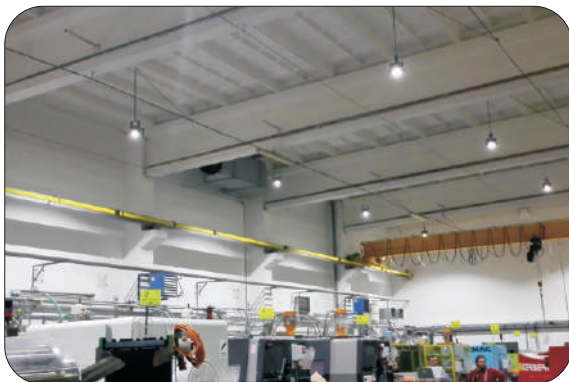
ZY8603AP/BP



ZY8603A1P/B1P

## Application

It is suitable for emergency lighting in the installation platform, water control room, fire pump room and other places.



## Characteristics

- It is made using a special aluminum housing, suitable for long-term highly corrosive environment of offshore platforms, chlor-alkali, vulcanization cyanide a full range of high conductivity material accelerate convection cooling structure, effective guarantee long term use in high temperature environments. variety of light distribution, variety of installation types, an effective solution to beautify workshop and device platform.
- The shell is made of high-tech surface coating technology, corrosion resistant, waterproof and dust proof, suitable for harsh environments.
- Imported light lens, high luminous efficiency, low-light failure, reliability ranking first in the same light source.
- Independent wiring chamber, safe and easy installation and maintenance.
- All exposed fasteners adopt 304 stainless steel.
- Type A: usually can be used for 24 hours lighting lamps and lanterns to use, when the accident to provide emergency lighting;
- Type B : accident to provide emergency lighting.
- B type A type with manual emergency function.

## Main Specification


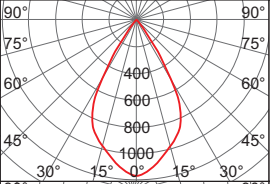

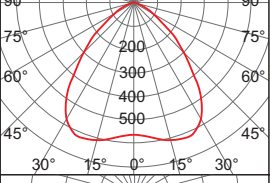

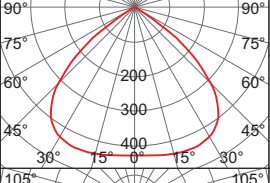

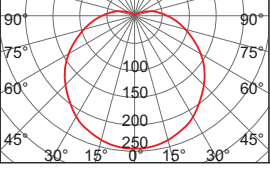

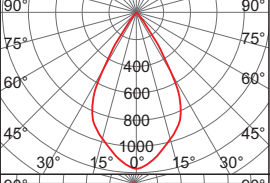

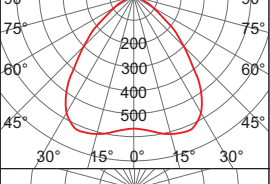

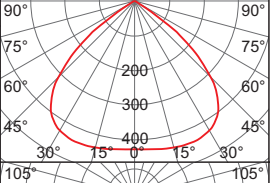

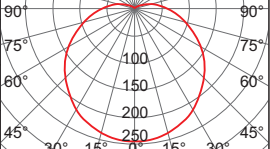
Item	Technical Parameters	
	ZY8603AP/ BP	ZY8603A1P/ B1P
Input voltage (V)	90~264VAC	
Rated frequency	50Hz/ 60Hz	
Light source	LED	
CRI (Ra)	70(80 optional)	
Life time (h)	50,000	
CCT	4000K(3000K/5000K optional)	
Leading-in cable diameter	φ 10~ φ 14mm	
Terminals	Multi core: ≤2.5mm <sup>2</sup>	
	Single core: ≤4mm <sup>2</sup>	
Time of charging (h)	>6	>12
Rated capacity	2. 6Ah / 14. 8V	5.2Ah / 14. 8V
Dimension (mm)	φ 230×240	φ 230×260
Net weight (kg)	4.2	5.2



# ZY8603AP/BP LED Emergency Light(Pole)

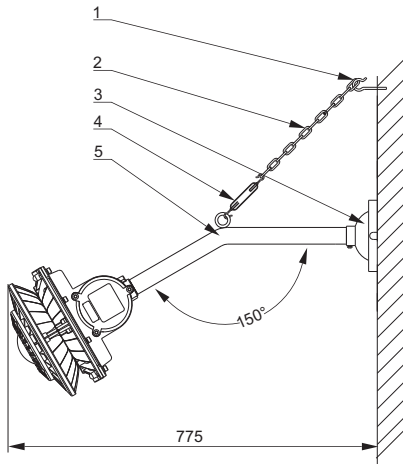
# TORMIN

## Ordering Reference

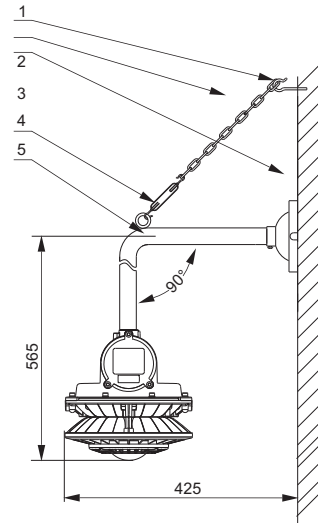
Model number	Picture	Rated wattage (W)	Emergency wattage (W)	Emergency duration (min)	Emergency light output (lm)	Light distribution curve(1000cd/lm)	Space height ratio	Equivalent to
								MH
ZY8603AP-L40-15-60°		40W	15W	120min	1800		0.9	100W / 35W
ZY8603AP-L40-25-60°		40W	25W	70min	3300			100W / 70W
ZY8603A1P-L40-15-60°		40W	15W	240min	1800			100W / 35W
ZY8603A1P-L40-25-60°		40W	25W	140min	3300			100W / 70W
ZY8603AP-L40-15-80°		40W	15W	120min	1800		1.35	100W / 35W
ZY8603AP-L40-25-80°		40W	25W	70min	3300			100W / 70W
ZY8603A1P-L40-15-80°		40W	15W	240min	1800			100W / 35W
ZY8603A1P-L40-25-80°		40W	25W	140min	3300			100W / 70W
ZY8603AP-L40-15-100°		40W	15W	120min	1800		1.4	100W / 35W
ZY8603AP-L40-25-100°		40W	25W	70min	3300			100W / 70W
ZY8603A1P-L40-15-100°		40W	15W	240min	1800			100W / 35W
ZY8603A1P-L40-25-100°		40W	25W	140min	3300			100W / 70W
ZY8603AP-L40-15-200°		40W	15W	120min	1400		1.75	100W / 35W
ZY8603AP-L40-25-200°		40W	25W	70min	2600			100W / 70W
ZY8603A1P-L40-15-200°		40W	15W	240min	1400			100W / 35W
ZY8603A1P-L40-25-200°		40W	25W	120min	2600			100W / 70W
<b>Auto Emergency</b>								
ZY8603BP-15-60°		/	15W	120min	1800		0.9	35W
ZY8603BP-25-60°		/	25W	70min	3300			70W
ZY8603B1P-15-60°		/	15W	240min	1800			35W
ZY8603B1P-25-60°		/	25W	140min	3300			70W
ZY8603BP-15-80°		/	15W	120min	1800		1.35	35W
ZY8603BP-25-80°		/	25W	70min	3300			70W
ZY8603B1P-15-80°		/	15W	240min	1800			35W
ZY8603B1P-25-80°		/	25W	140min	3300			70W
ZY8603BP-15-100°		/	15W	120min	1800		1.4	35W
ZY8603BP-25-100°		/	25W	70min	3300			70W
ZY8603B1P-15-100°		/	15W	240min	1800			35W
ZY8603B1P-25-100°		/	25W	140min	3300			70W
ZY8603BP-15-200°		/	15W	120min	1400		1.75	35W
ZY8603BP-25-200°		/	25W	70min	2600			70W
ZY8603B1P-15-200°		/	15W	240min	1400			35W
ZY8603B1P-25-200°		/	25W	140min	2600			70W

## Drawing of Dimension (Dimensions in mm)

### Wall mounting 150°



### Wall mounting 90°



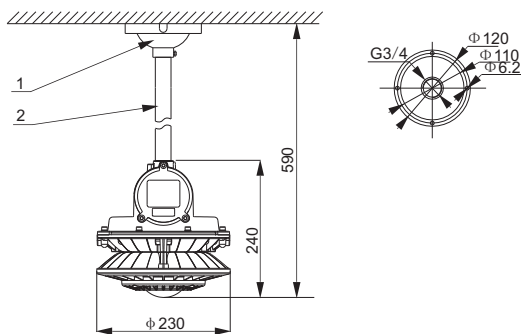
### Accessories order information(Wall mounting 150°)

Order number	No.	Specification	Quantity
P15	1	Expansion screw hook	1
	2	Chain	1
	3	C-C turn buckle	1
	4	G3/4" bend pipe 150Degree	1
	5	Sucker	1

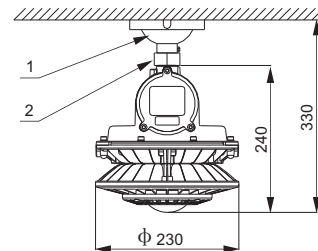
### Accessories order information(Wall mounting 90°)

Order number	No.	Specification	Quantity
P16	1	Expansion screw hook	1
	2	Chain	1
	3	C-C turn buckle	1
	4	G3/4" bend pipe 90Degree	1
	5	Sucker	1

### Pole mounting



### Ceiling mounting



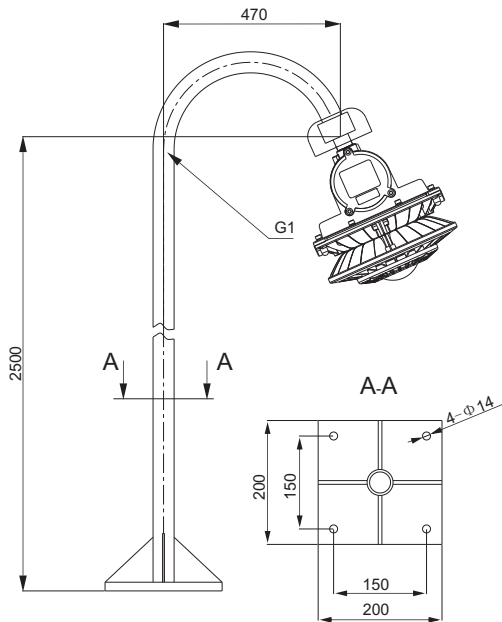
### Accessories order information(Pole mounting)

Order number	No.	Specification	Quantity
P14	1	G3/4" pole 30cm	1
	2	Sucker	1

### Accessories order information(Ceiling mounting)

Order number	No.	Specification	Quantity
P17	1	Sucker	1
	2	Adapter G3/4"(internal-external)	1

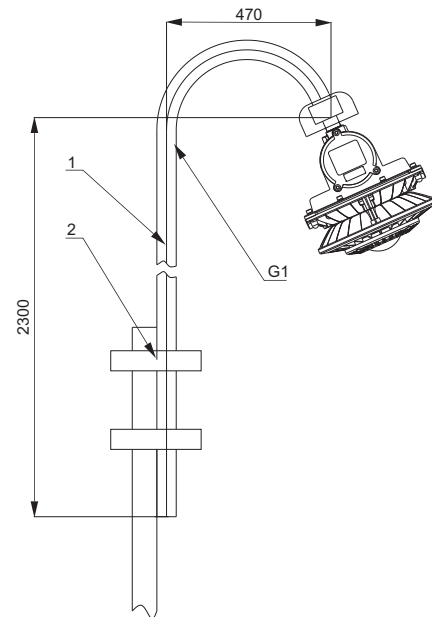
### Flange mounting



### Accessories order information(Flange mounting)

Order number	No.	Specification	Quantity
P06	1	Flange pole	1

### Guardrail mounting



### Accessories order information(Guardrail mounting)

Order number	No.	Specification	Quantity
P05	1	Fence pole	1
	2	U type bolts	2



CE

RoHS  
LM79  
LM84

IP  
66

Ta  
50

Ta  
-25



ZY8603AS/BS



ZY8603A1S/B1S

## Application

It is suitable for emergency lighting in the installation platform, water control room, fire pump room and other places.



## Characteristics

- It is made using a special aluminum housing, suitable for long-term highly corrosive environment of offshore platforms, chlor-alkali, vulcanization cyanide a full range of high conductivity material accelerate convection cooling structure, effective guarantee long term use in high temperature environments. variety of light distribution, variety of installation types, an effective solution to beautify workshop and device platform.
- The shell is made of high-tech surface coating technology, corrosion resistant, waterproof and dust proof, suitable for harsh environments.
- Imported light lens, high luminous efficiency, low-light failure, reliability ranking first in the same light source.
- Independent wiring chamber, safe and easy installation and maintenance.
- All exposed fasteners adopt 304 stainless steel.
- Type A: usually can be used for 24 hours lighting lamps and lanterns to use, when the accident to provide emergency lighting;
- Type B : accident to provide emergency lighting.
- B type A type with manual emergency function.


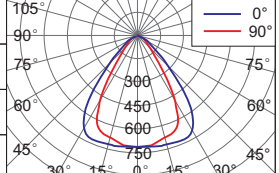

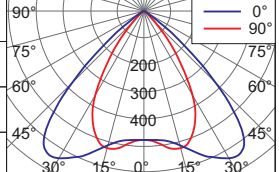

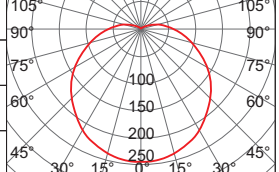

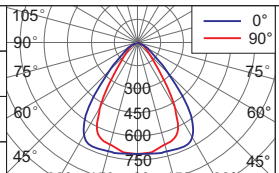

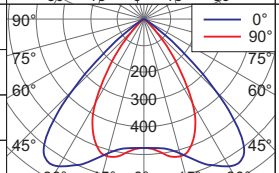

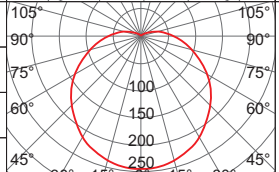
## Main specification

Item	Technical Parameters	
	ZY8603AS/BS	ZY8603A1S/B1S
Type	ZY8603AS/BS	ZY8603A1S/B1S
Input voltage (V)	90~264VAC	
Rated frequency	50Hz / 60Hz	
Light source	LED	
CRI (Ra)	70(80 optional)	
Life time (h)	50,000	
CCT	4000K(3000K/5000K optional)	
Leading-in cable diameter	φ 6mm~ φ 12mm	
Terminals	Multi core: ≤2.5mm <sup>2</sup>	
	Single core: ≤4mm <sup>2</sup>	
Recharge time	>6h	>12h
Rated capacity	2.6Ah / 14.8V	5.2Ah / 14.8V
Dimension (mm)	260×245×270	260×265×270
Net weight (kg)	4.9	6.3

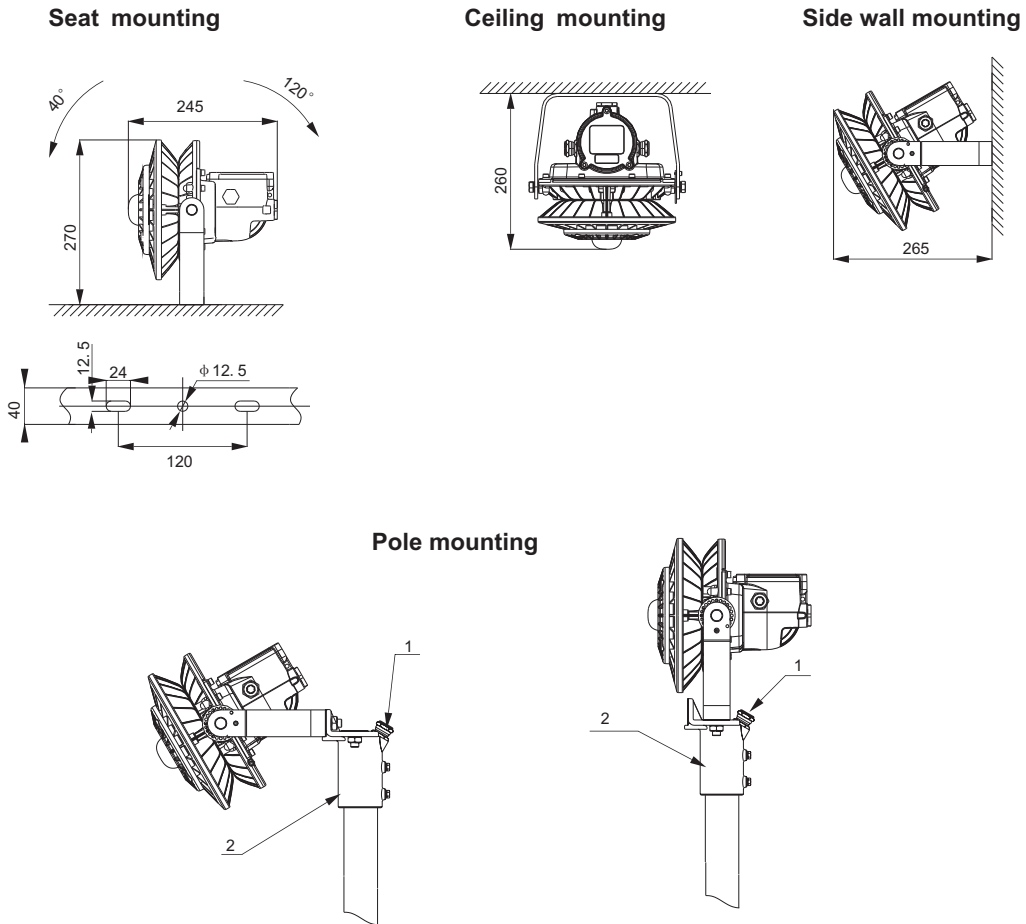
# ZY8603AS/BS LED Emergency Light(Bracket)

# TORMIN

## Ordering Reference

Model number	Picture	Rated wattage (W)	Emergency wattage (W)	Emergency duration (min)	Emergency light output (lm)	Light distribution curve(1000cd/lm)	Space height ratio	Equivalent to
								MH
ZY8603AS-L40-15-60°×80°		40W	15W	120min	1800		1.25	100W / 35W
ZY8603AS-L40-25-60°×80°		40W	25W	70min	3300			100W / 70W
ZY8603A1S-L40-15-60°×80°		40W	15W	240min	1800			100W / 35W
ZY8603A1S-L40-25-60°×80°		40W	25W	140min	3300			100W / 70W
ZY8603AS-L40-15-90°×110°		40W	15W	120min	1700		1.75	100W / 35W
ZY8603AS-L40-25-90°×110°		40W	25W	70min	3100			100W / 70W
ZY8603A1S-L40-15-90°×110°		40W	15W	240min	1700			100W / 35W
ZY8603A1S-L40-25-90°×110°		40W	25W	140min	3100			100W / 70W
ZY8603AS-L40-15-200°		40W	15W	120min	1400		1.75	100W / 35W
ZY8603AS-L40-25-200°		40W	25W	70min	2600			100W / 70W
ZY8603A1S-L40-15-200°		40W	15W	240min	1400			100W / 35W
ZY8603A1S-L40-25-200°		40W	25W	140min	2600			100W / 70W
Auto Emergency								
ZY8603BS-15-60°×80°		/	15W	120min	1800		1.25	35W
ZY8603BS-25-60°×80°		/	25W	70min	3300			70W
ZY8603B1S-15-60°×80°		/	15W	240min	1800			35W
ZY8603B1S-25-60°×80°		/	25W	140min	3300			70W
ZY8603BS-15-90°×110°		/	15W	120min	1700		1.75	35W
ZY8603BS-25-90°×110°		/	25W	70min	3100			70W
ZY8603B1S-15-90°×110°		/	15W	240min	1700			35W
ZY8603B1S-25-90°×110°		/	25W	140min	3100			70W
ZY8603BS-15-200°		/	15W	120min	1400		1.75	35W
ZY8603BS-25-200°		/	25W	70min	2600			70W
ZY8603B1S-15-200°		/	15W	240min	1400			35W
ZY8603B1S-25-200°		/	25W	140min	2600			70W

## Drawing of Dimension (Dimensions in mm)



### Accessories ordering information(optional)

Order number	No.	Specification	Quantity	Note
P07	1	Water proof plug M20	1	φ 8~ φ 12mm cable
	2	Vertical Mounting pole	1	φ 40~ φ 50mm pole