



## Application

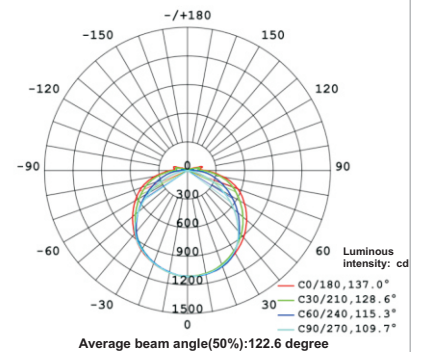
- Idea to be used in power distribution rooms, garages, corridors, flyovers and bridge cranes.

## Characteristics

- Aluminum alloy die-casting shell, high-tech spray plastic surface, waterproof and dustproof, suitable for various harsh environments;
- There is a wiring cavity inside the luminaire, which can be directly connected during installation without a separate junction box, which is convenient and quick;
- Utilizing the side-pulling structure, it is convenient for maintenance and replacement of the lamp tube
- The 18W power can be equipped with emergency devices according to user requirements. When the power supply is cut off, the lamps can automatically switch to the 3W emergency lighting state, and the emergency lighting time is  $\geq 90$ min;
- A variety of installation methods such as boom type, ceiling type, guardrail type, etc. are optional.

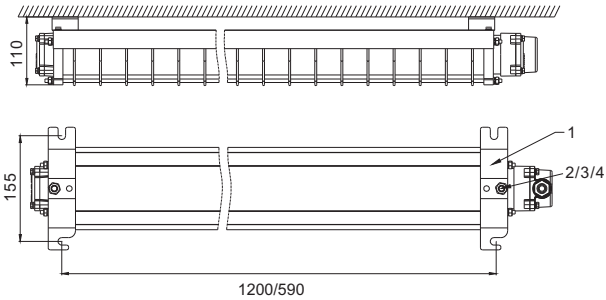
## Main Specification

Item	Technical Parameters				
Rated wattage (W)	8W(T8)	10W(T8)	16W (T8)	18W (T8)	36W (T8)
Input voltage (V)	90~264VAC				
Rated frequency	50Hz / 60Hz				
Light source	LED				
Light output (lm)	>90				
CRI (Ra)	>70				
Life time (h)	>50,000				
CCT	5000K~6000K				
Maximum surface temperature (°C)	<80				
Installation angle	360°				
Conductor cross section	Not less than 1.5,mm <sup>2</sup>				
Net weight (kg)	1.8		3.5		
Dimension (mm)	710×125×100		1320×125×100		



## Selection and installation (unit: mm)

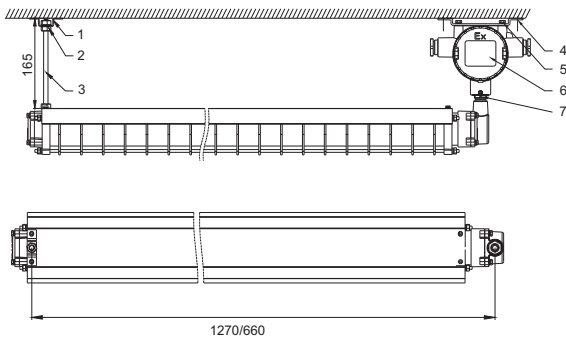
### Ceiling mounting



### Accessories ordering information (standard)

Order number	No.	Specifications Model	QTY
P01	1	Ceiling mounting bracket	2
	2	Hexagon socket screw M8X20	2
	3	Spring washer M8	2
	4	Flat washer M8	2

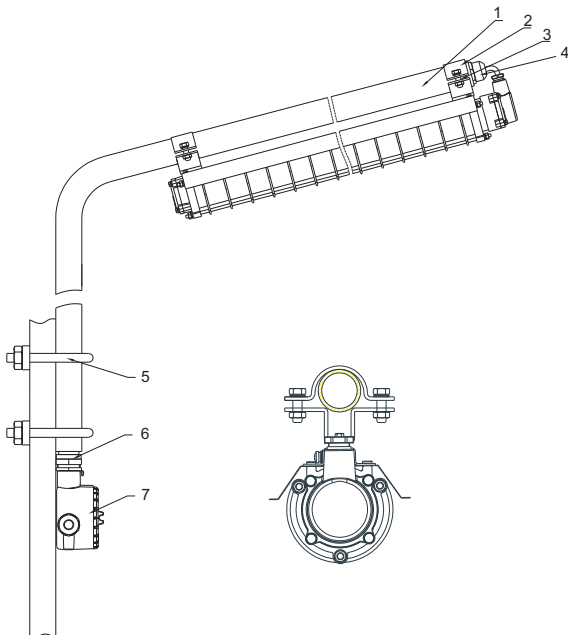
### Boom mounting



### Accessories ordering information (standard)

Order number	No.	Specifications Model	QTY
P03	1	Boom mounting bracket	1
	2	Nut M8	3
	3	Screw M8 165mm	2
	4	Top mount bracket	1
	5	M8X12 three combination screws	2
	6	Junction box	1
	7	G1/2 Male-Male connector	1

### Guardrail mounting



### Accessories ordering information (standard)

Order number	No.	Specifications Model	QTY
P04	1	Street light pole	1
	2	Hoop	2
	3	M8 combination screw	4
	4	Waterproof connector	1
	5	U type pipe clamp	2
	6	G1/2 Male-Male connector	1
	7	Junction box	1



## Application

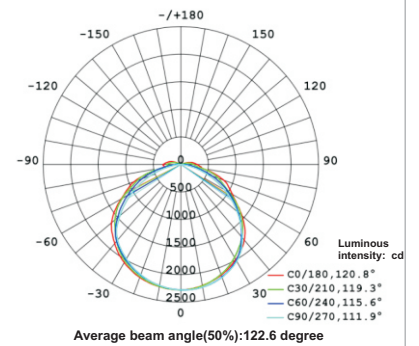
- Idea to be used in power distribution rooms, garages, corridors, flyovers and bridge cranes.

## Characteristics

- Aluminum alloy die-casting shell, high-tech spray plastic surface, waterproof and dustproof, suitable for various harsh environments;
- There is a wiring cavity inside the luminaire, which can be directly connected during installation without a separate junction box, which is convenient and quick;
- Utilizing the side-pulling structure, it is convenient for maintenance and replacement of the lamp tube
- The 2X18W power can be equipped with emergency devices according to user requirements. When the power supply is cut off, the lamps can automatically switch to the 2X3W emergency lighting state, and the emergency lighting time is  $\geq 90$ min;
- A variety of installation methods such as boom type, ceiling type, guardrail type, etc. are optional.

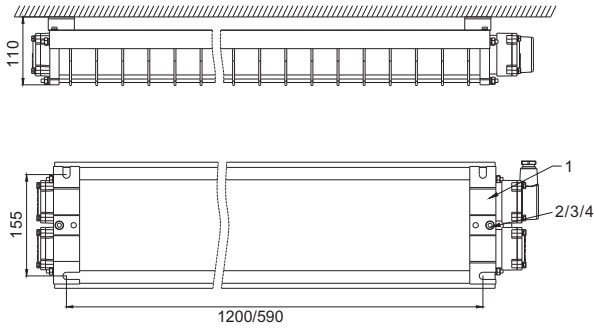
## Main Specification

Item	Technical Parameters				
Rated wattage (W)	2×8W(T8)	2×10W(T8)	2×16W (T8)	2×18W (T8)	2×36W (T8)
Input voltage (V)	90~264VAC				
Rated frequency	50Hz / 60Hz				
Light source	LED				
Light output (lm)	>90				
CRI (Ra)	>70				
Life time (h)	>50,000				
CCT	5000K~6000K				
Maximum surface temperature (°C)	<80				
Installation angle	360°				
Conductor cross section	Not less than 1.5,mm <sup>2</sup>				
Net weight (kg)	3.5		6		
Dimension (mm)	710×200×100		1320×200×100		



## Selection and installation (unit: mm)

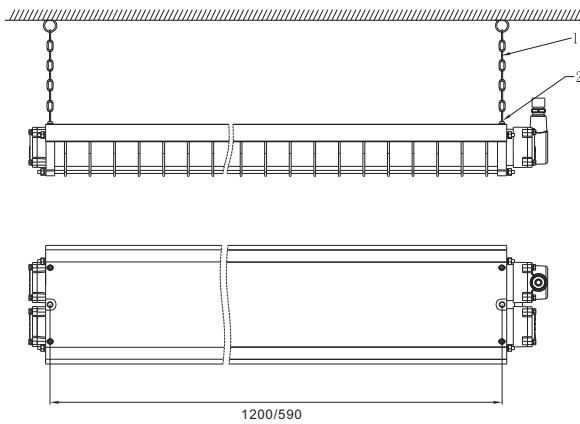
### Ceiling mounting



### Accessories ordering information (standard)

Order number	No.	Specifications Model	QTY
P01	1	Ceiling mounting bracket	2
	2	Hexagon socket screw M8X20	2
	3	Spring washer M8	2
	4	Flat washer M8	2

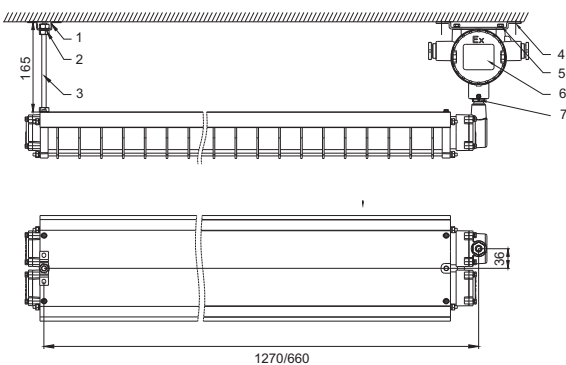
### Chain mounting



### Accessories ordering information (standard)

Order number	No.	Specifications Model	QTY
P02	1	Chain	2
	2	Ring M8	2

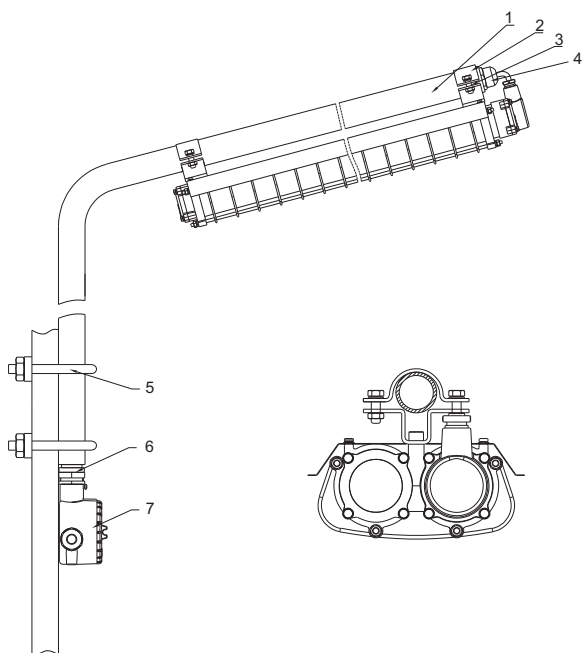
### Boom mounting



### Accessories ordering information (standard)

Order number	No.	Specifications Model	QTY
P03	1	Boom mounting bracket	1
	2	Nut M8	3
	3	Screw M8 165mm	2
	4	Top mount bracket	1
	5	M8X12 three combination screws	2
	6	Junction box	1
	7	G1/2 Male-Male connector	1

## Guardrail mounting



## Accessories ordering information (standard)

Order number	No.	Specifications Model	QTY
P04	1	Street light pole	1
	2	Hoop	2
	3	M8 combination screw	4
	4	Waterproof connector	1
	5	U type pipe clamp	2
	6	G1/2 Male-Male connector	1
	7	Junction box	1