

# BC9200 LED Explosion Proof Light

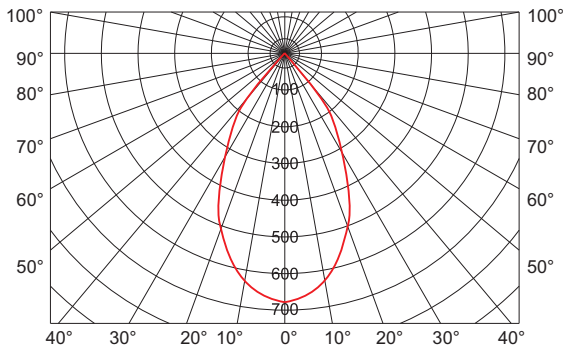
# TORMIN



Ex marking: Ex de IIC T6 Gb



## Light Distribution Curve



## Application

- Ideal to be used in the environment of flammable gas and steam dust environment, such as Petrochemical Plant, Chemical Plant, Pharmaceutical Factory, Cable channel, etc.
- Class 1,zone1&zone2

## Characteristics

- No dark spot, it can save 60% or more on energy than metal halide lamp.
- AC-DC wide voltage range driver, power factor above 0.98.
- Adopts LED anti-dazzle lens, making the light more gentle, glare free. It will not cause weariness to the operators' eyes.
- It is made using aluminum housing, all exposed fasteners adopt 304 stainless steel. Using high-tech anti-corrosion surface treatment technology, suitable for hazardous working areas.
- The PC transparency has a high light transmittance, perfect impact resistance, designed to withstand the harsh industrial applications

## Main Specification

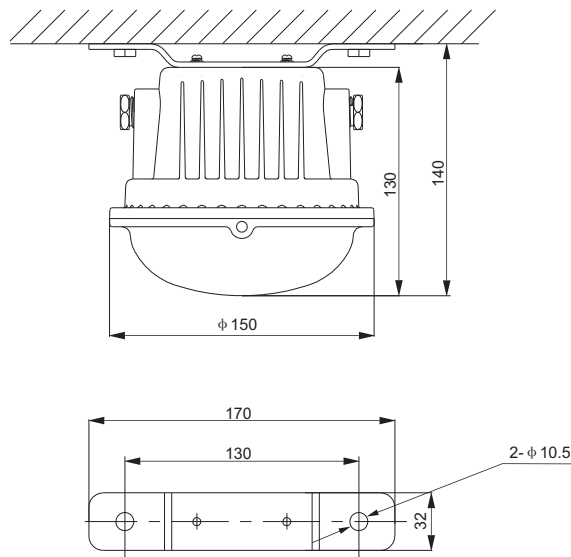
Item	Technical Parameters
Input voltage (V)	90~264VAC
	18~43VAC/ 18~55VDC(6~12W )
Rated frequency	50Hz / 60Hz
Light source	LED
Life time (h)	50,000
CRI (Ra)	70
CCT	5000K ±250K
Leading-in cable diameter	φ 6mm~ φ 8mm
Dimension (mm)	φ 150× 140
Net weight (kg)	1.3

## Ordering Reference

Ordering reference	Rated wattage (W)	Light output (lm)	Mounting height (m)	Equivalent to
				Energy saving lamp
Input voltage: 90~264VAC				
BC9200-L6	6W	500	2~4m	18W
BC9200-L12	12W	1000		22W
BC9200-L20	20W	1500		45W
Input voltage: 18~43VAC/ 18~55VDC				
BC9200-L6D	6W	500	2~4m	18W
BC9200-L12D	12W	1000		22W

## Drawing of dimension (Dimensions in mm)

### Ceiling Mounting



Installation dimension