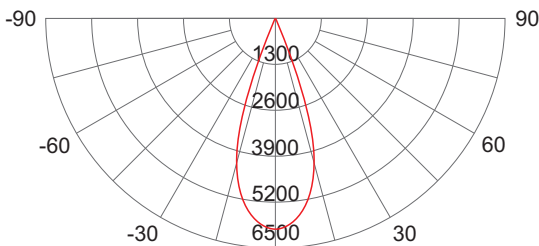




EX marking: Ex de IIC T6 Gb
Ex tD A21 IP66 T80°C



Light distribution curve



Application

This product is widely used in highly corrosive places such as various reaction kettles in chemical and pharmaceutical factories for local observation and lighting;

Applicable to places with high humidity and corrosion protection;

Applicable to explosive gas or dust environment in Zone 1, Zone 2 or Zone 21, Zone 22;

Suitable for IIA, IIB, IIC explosive gas environment;

Suitable for temperature group T1~T6 group;

Applicable ambient temperature is 40°C~−40°C.

Characteristics

- The shell is made of anti-corrosion aluminum alloy, the seals are made of high anti-corrosion materials, the standard parts are made of 304 stainless steel, and the surface adopts high-tech anti-corrosion treatment technology, which is suitable for long-term use in highly corrosive environments;

- The light source adopts CREE light source, the color rendering index is as high as Ra90, and the spot has no mottled color and no aperture, which can accurately observe the reaction of the objects in the reactor;

- The user-friendly design of the adjustable mounting bracket is suitable for the installation requirements of various specifications of reaction kettle mirrors. The distance between the lamps and the viewing environment can be adjusted according to requirement;

- After pressing the switch, it will automatically turn off after 10 minutes, and it can also be turned on and off;

- The protection level reaches IP66, which can effectively resist heavy rain;

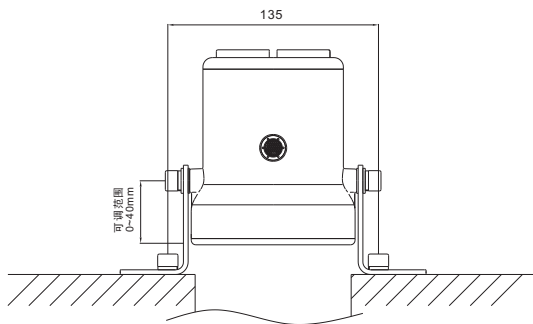
Main Specification

Item	Technical Parameters
Input voltage (V)	90~264VAC
	9~42VAC/12~48VDC(low voltage)
Rated frequency	50Hz/60Hz
Light source	LED
CCT	5700K(4000K/ 5000K optional)
CRI (Ra)	90(70/ 80 optional)
Life time	50,000hrs
Cable entry	G1/2"
Net weight	1.3kg
Size	Φ105×144mm

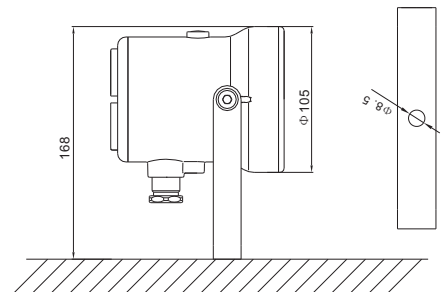
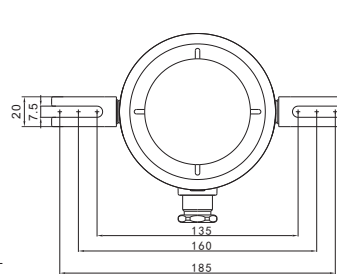
Ordering reference

Model number	Mounted type	Rated wattage	Switch mode
Input voltage: 90~264VAC			
BC9502AS-L10	Vertical installation	10W	Conventional switch
BC9502BS-L10		10W	Delay switch
BC9502AS-L20		20W	Conventional switch
BC9502BS-L20		20W	Delay switch
BC9502AZ-L10	Seat installation	10W	Conventional switch
BC9502BZ-L10		10W	Delay switch
BC9502AZ-L20		20W	Conventional switch
BC9502BZ-L20		20W	Delay switch
Input voltage: 9~42VAC/12~48VDC			
BC9502AS-L10D	Vertical installation	10W	Conventional switch
BC9502BS-L10D		10W	Delay switch
BC9502AS-L20D		20W	Conventional switch
BC9502BS-L20D		20W	Delay switch
BC9502AZ-L10D	Seat installation	10W	Conventional switch
BC9502BZ-L10D		10W	Delay switch
BC9502AZ-L20D		20W	Conventional switch
BC9502BZ-L20D		20W	Delay switch
Remarks: If the power is 10W, the switch is turned off after 10 minutes, and the installation method is seat installation, the order number is: BC9502BS-L10			

Drawing of dimension (Dimensions in mm)



Vertical installation



Seat installation