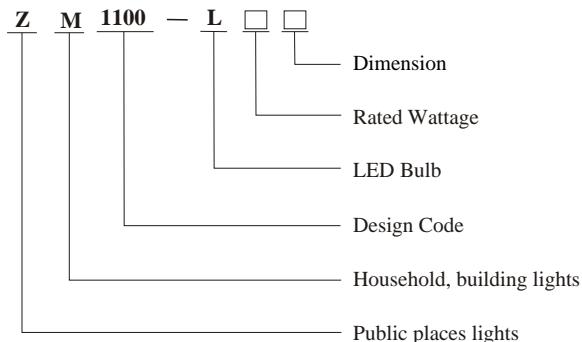


### LED



### Model Clarify



### Application

This product is suitable for using in railway station, airport, office and other indoor places.

### Characteristics of performance

- It adopts American CREE LED as light source, pure color, non-variegated, can save 60% on energy than the metal halide lamp.
- Equipped world top ranking brand, Taiwan Meanwell electrical appliance, make the lamp's performance more stable and efficient.
- Lamp housing with anodized lathe finishing, stylish appearance, never color change.
- Excellent thermal management can effectively guarantee the problem caused by heat.
- Excellent optical design make the whole lamp lighting efficiency, luminous uniformity.

### Technical Specification

Ordering reference	Input voltage	Frequency	Wattage (W)	Luminous flux (lm)	Color temperature (K)	Size (inch)	Hole dimension (mm)	Net weight (Kg)
ZM1100-L6-5C	90~264VAC	47~63Hz	6	640	2600 ~ 6500	5	Φ145	0.5
ZM1100-L12-5C	90~264VAC	47~63Hz	12	1280	2600 ~ 6500	5	Φ145	0.5
ZM1100-L6-6C	90~264VAC	47~63Hz	6	640	2600 ~ 6500	6	Φ155	0.6
ZM1100-L12-6C	90~264VAC	47~63Hz	12	1280	2600 ~ 6500	6	Φ155	0.6
ZM1100-L12-8C	90~264VAC	47~63Hz	12	1280	2600 ~ 6500	8	Φ200	0.8
ZM1100-L25-8C	90~264VAC	47~63Hz	25	2520	2600 ~ 6500	8	Φ200	0.8
ZM1100-L25-10C	90~264VAC	47~63Hz	25	2520	2600 ~ 6500	10	Φ235	1.4
ZM1100-L35-10C	90~264VAC	47~63Hz	35	3560	2600 ~ 6500	10	Φ235	1.4