

Application

Idea to be used in power distribution rooms, garages, corridors, flyovers and bridge cranes.

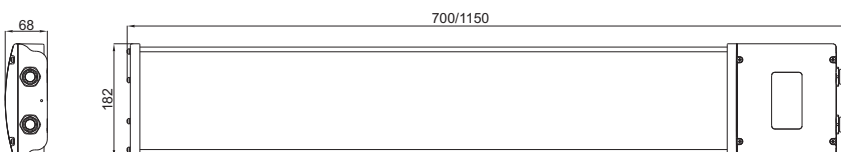
Characteristics

- Seawater resistant, anodized aluminum housing.
- Flexible light exit cover, soft and comfortable light.
- The whole lighting effect is over 110 lm/W.
- Ship-level anti-vibration test.
- Outdoor light diffusion material translucent cover, strong weather resistance.
- Independent junction box design, convenient wiring, can be used in parallel with multiple lamps.
- Exposed fasteners are all made of 304 stainless steel (Ocean platform requires custom 316 stainless steel).

Main Specification

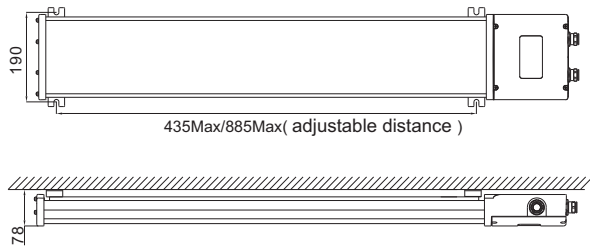
Item	Technical Parameters				
	ZY5322B-L20	ZY5322B-L30	ZY5322B-L40	ZY5322B-L60	ZY5322B-L80
Rated wattage (W)	20W	30W	40W	60W	80W
Input voltage(V)	90~264VAC,50/60Hz				
Light output (lm)	2200lm	3000lm	4000lm	6600lm	8000lm
CCT	5000K (3000K/4000K Optional)				
CRI (Ra)	70				
IP class	IP66				
Ambient Temperature	-40~+55°C				
Number of cable inlets	1~2				
Leading-in cable diameter(mm)	φ 8~ φ 12				
Dimension (mm)	700×182×68	700×182×68	700×182×68	1150×182×68	1150×182×68
Net Weight (kg)	3.2	3.2	3.4	4.5	4.7

Drawing of dimension (Dimensions in mm)

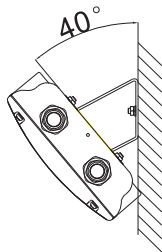


Drawing of dimension (Dimensions in mm)

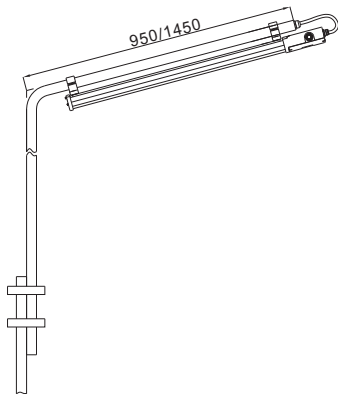
1. Bracket mounting(Standard)



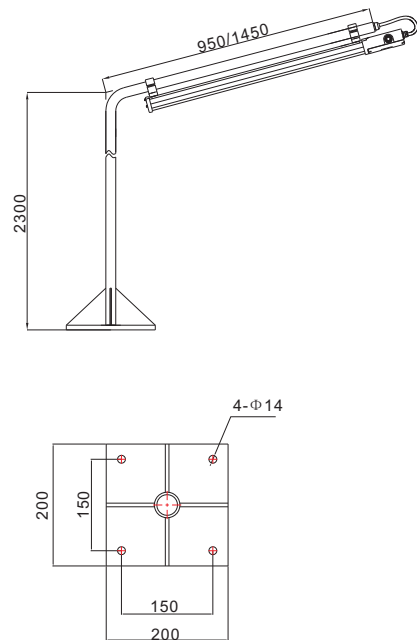
2. Side wall mounting (40 degree)



3. Guardrail installation



4. Flange mounting



Ordering reference

Order number	Rated wattage(W)	Input voltage(V)	CCT	CRI	Mounting type	Number of cable inlets
ZY5322B-L	20/ 30/ 40/ 60/ 80	120V/240V	3000K-30 4000K-40 5000K-50	R7(Ra70) R8(Ra80)	S1 Bracket mounted S2 Side wall mounted S3 Guardrail installation S4 Flange mounting	E1(one cable inlet) E2(two cable inlets)

Example: Specification of Lamp is Power 20W, Color temperature 5000K, Bracket mounting, One cable inlet.
Order number as ZY5322B-L20W120/240V50R7S1E1