

# ZY8601P LED Light(Pole)

# TORMIN



## Characteristics

- Unique 220° beam angle makes the light more even, reducing eyestrain to the operator.
- Adopts high efficient heat conduction material, heat dissipation system. It ensures the 50,000 hours LED life.
- World top brand LED, it can save more than 40% energy than metal halide lamp.
- World top brand LED driver, stable quality.
- Easy maintenance.
- It adopts special aluminum which anti corrosion performance is much better than 304 stainless steel, durable to be used in highly corrosive area.

## Application

It is suitable for use in all kinds of workshop, storage room, power station, furnace etc.



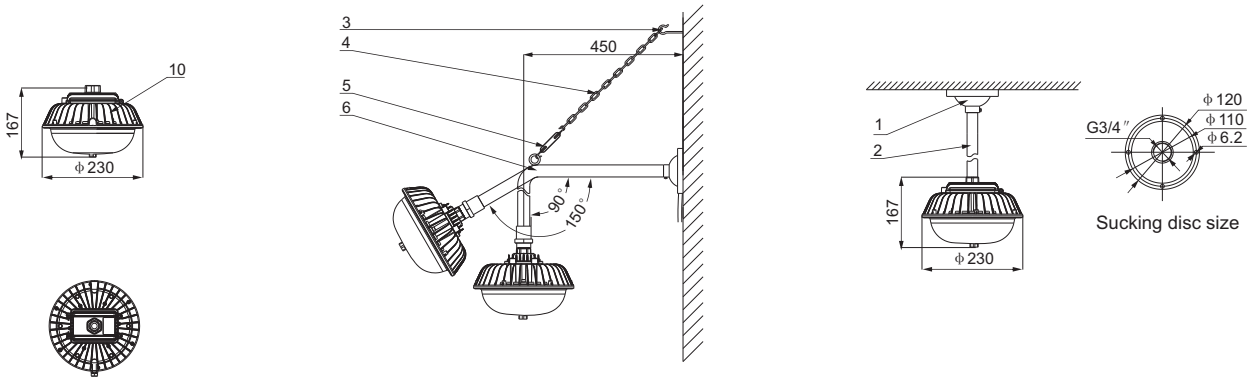
## Main Specification

Item	Technical Parameters
Input voltage (V)	90 ~ 264VAC
Rated frequency	50Hz / 60Hz
Light source	LED
Life time (h)	50,000
CRI	Ra 70 (80 optional)
CCT	5000K(3000K/4000K optional)
Leading-in cable diameter	φ 8~ φ 14mm
Dimension (mm)	φ 230 × 167mm
Net weight (kg)	2.2Kg

## Ordering Reference

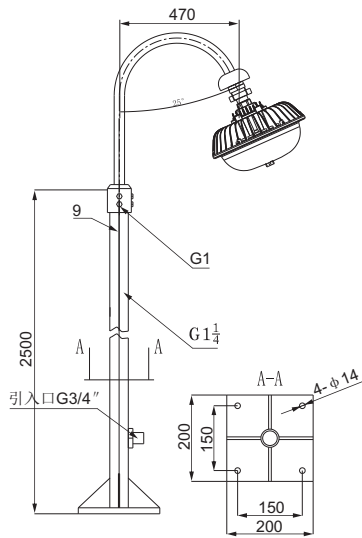
Model number	Picture	Rated wattage (W)	Light output (lm)	Space height ratio	Mounting height (m)	Light distribution curve(1000cd/lm)	Equivalent to
							MH
ZY8601P-L30-200°		30W	4020	1.75	2~5m		70W
ZY8601P-L40-200°		40W	5240				100W
ZY8601P-L50-200°		50W	6470		100W		
ZY8601P-L60-200°		60W	7390		150W		

## Drawing of dimension (Dimensions in mm)

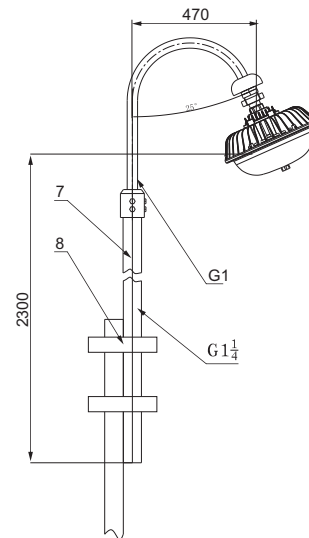


**Pole mounting (standard)**

**Wall mounting 90°/150° (optional)**



**Flange mounting**



**Guardrail mounting**

No.	Order number	Quantity	remarks	No.	Order number	Quantity	remarks
1	Sucking disc	1		6	G3/4" bend pole	1	90° or 150°
2	G3/4" Pole	1	Length optional	7	Guardrail pole	1	
3	Screw hook	1		8	U bolt	2	
4	Chain	1		9	Flange pole	1	
5	C-C turn buckle	1		10	ZY8601P	1	G3/4" screw thread (Standard)