

IP  
65

Ta  
45

Ta  
-40



## Application

Indoor and outdoor lighting for power plants, steel plants, chemical plants, etc.



## Characteristics

- Using high-tech surface spraying technology, wear-resistant, corrosion-resistant, waterproof, and dustproof, suitable for all kinds of harsh environments.
- The radiator adopts a fin structure design, the light source adopts a decentralized layout and power split structure, which can be suitable for high temperature and high humidity working environment for a long time.
- Multiple installation methods and the same appearance can effectively solve the image and aesthetic problems of the workshop and the device platform.
- The lamp adopts imported light source, the light spot has no dark area, and the overall lighting effect is up to 110lm / W, which is more than 60% energy saving compared with the metal halide lamp.
- AC and DC wide voltage constant power supply, power factor up to 0.98.
- The lamp is equipped with an angle locking device to ensure that the irradiation direction is not displaced in a vibration environment.

## Main Specification

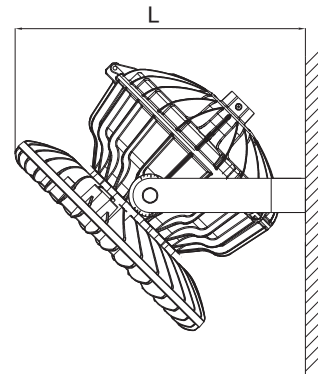
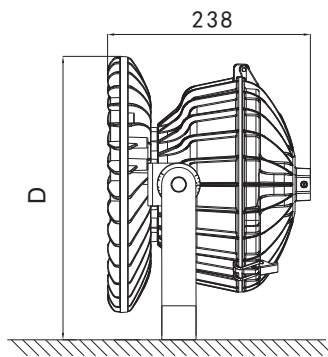
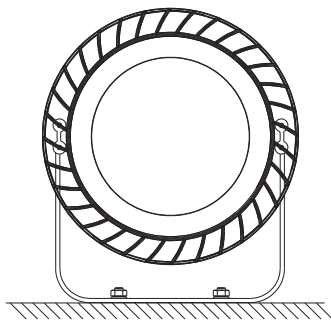
Item	Technical Parameters
Input voltage range (V)	90~305VAC
Rated frequency	50Hz / 60Hz
Light source	LED
Life time (h)	50,000hours
CRI	Ra 70 (80 Optional)
CCT	5000K (3000K/4000K Optional)
Dimension (mm)	332 × 340 × 238mm(80W/100W/120W)
	352 × 360 × 238mm(150W/200W)
	392 × 400 × 238mm(250W)
Net weight (kg)	5.3Kg (80W~120W); 5.7Kg (150W~200W); 6.3Kg(250W)

## Ordering Reference

Model Number	Picture	Rated wattage (W)	Light output (lm)	Space height ratio	Mounting height (m)	Light distribution curve(1000cd/lm)	Equivalent to
							MH
ZY8605B-L80-60°		80W	9200	/	/		> 150W
ZY8605B-L100-60°		100W	11500				250W
ZY8605B-L120-60°		120W	13800				> 250W
ZY8605B-L150-60°		150W	17250				400W
ZY8605B-L200-60°		200W	23400				400W~600W

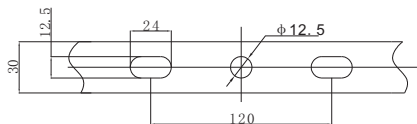
Model Number	Picture	Rated wattage (W)	Light output (lm)	Space height ratio	Mounting height (m)	Light distribution curve(1000cd/lm)	Equivalent to MH
ZY8605B-L80-90°		80W	9200	/	/		> 150W
ZY8605B-L100-90°		100W	11500				250W
ZY8605B-L120-90°		120W	13800				> 250W
ZY8605B-L150-90°		150W	17250				400W
ZY8605B-L200-90°		200W	23400				400W~600W
ZY8605B-L250-45°		250W	28750	/	/		400W~600W

### Drawing of dimension (Dimensions in mm)



**Seat mounted**

**Side wall mounted**



Installation dimension

Model number	Rated wattage	D(mm)	L(mm)
ZY8605B-L80/100/120	80W/100W/120W	332	340
ZY8605B-L150/200	150W/200W	352	360
ZY8605B-L250	250W	392	400