

IP
65

Ta
45

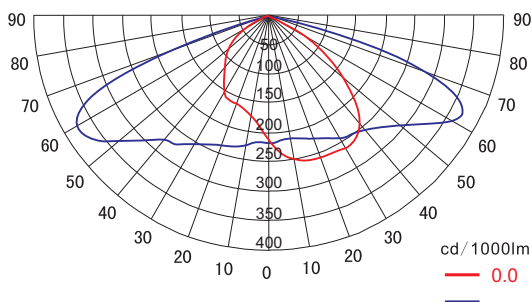
Ta
-25



Executive standard: GB7000/GB17625/GB17743



Light distributor curve



Application

Suitable for streets, roads, highways, square, parks, parking lots, etc.

Characteristic

- The light source power source is separated for heat dissipation, with good heat dissipation effect, long lifetime, suitable for high temperature and high humidity outdoor environment;
- Lumileds light source, the overall light efficiency is as high as 120lm/W on average, which is more than 60% energy-saving compared with the metal halide lamp;
- Use high-end brands (MEAN WELL, Inventronics) aluminum shell plastic-sealed outdoor special power supply, wide input range, constant current and constant voltage output, high power factor, high efficiency, dual-stage PFC, anti-lightning surge, and ensure long-term stability of the lamp Efficient output;
- The protection level of the whole lamp reaches IP65, which can be used in various indoor and outdoor sand, dust or rain and fog environments for a long time.

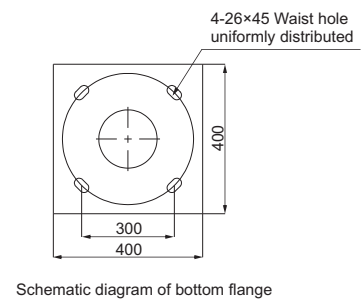
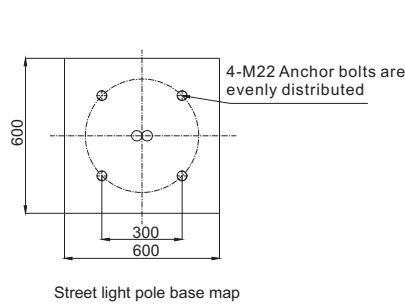
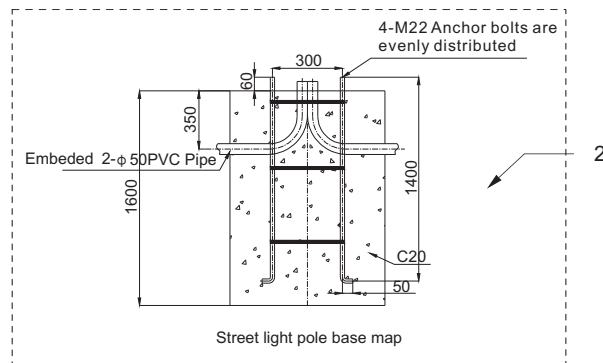
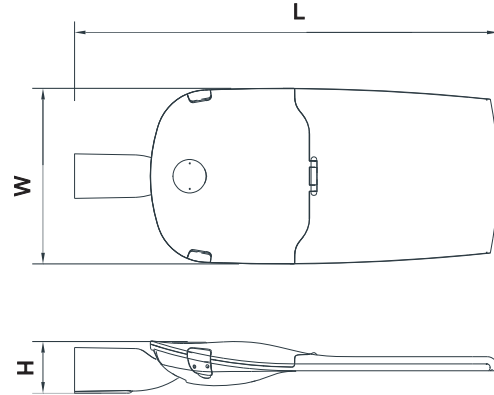
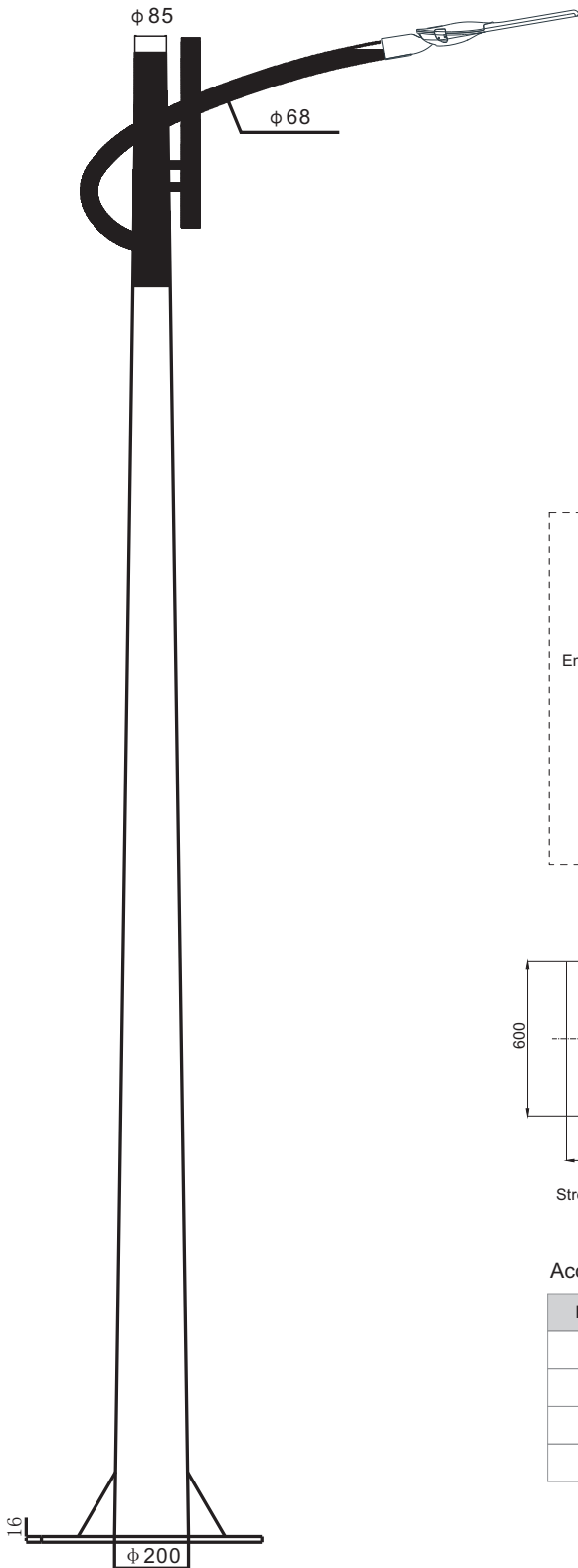
Main specification

Item	Technical Parameters
Input voltage	90~264VAC
Rated frequency	50Hz / 60Hz
Light source	LED
Life time	100,000hrs
CRI	Ra 70
CCT	2200K~6500K

Ordering Reference

Model number	Rated wattage (W)	Light output(lm)	Dimension(mm)	Mounting height(m)	Net weight(Kg)	Equivalent to
						HPS
ZY8705-L50	50W	6000	664 (L) ×243 (W) ×96	6~8m	4.4	175W
ZY8705-L80	80W	9600				175W~250W
ZY8705-L100	100W	12000				250W
ZY8705-L120	120W	14400	719 (L) ×297 (W) ×96	8~12m	6	250W~400W
ZY8705-L150	150W	18000				400W

Installation and selection



Accessories ordering information (optional)

Item No	No.	Specification	QTY
P22	1	8m light pole	1
P26	1	4m light pole	1
P27	1	6m light pole	1
P25	2	Embedded parts	1

Single arm installation
(light pole option)